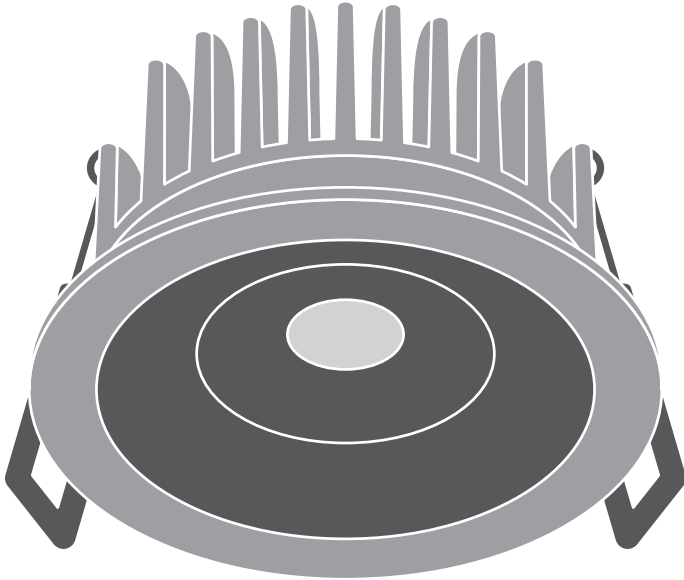





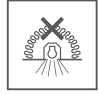

SPOT FIX
SPOT ADJUST



| | EAN | W | Hz | PF | lm | lm/W | K | R _a |  |
|--------------------------------|---------------|---|----------|-------|-----|------|------|----------------|--|
| SP FIX P 8W 927 PS DIM IP44 WT | 4058075799523 | 8 | 50/60 Hz | > 0.9 | 640 | 80 | 2700 | 90 | 36° |
| SP FIX P 8W 930 PS DIM IP44 WT | 4058075799547 | 8 | 50/60 Hz | > 0.9 | 680 | 85 | 3000 | 90 | 36° |
| SP FIX P 8W 940 PS DIM IP44 WT | 4058075799561 | 8 | 50/60 Hz | > 0.9 | 720 | 90 | 4000 | 90 | 36° |
| SP FIX P 8W 927 PS DIM IP44 BK | 4099854000126 | 8 | 50/60 Hz | > 0.9 | 640 | 80 | 2700 | 90 | 36° |
| SP FIX P 8W 930 PS DIM IP44 BK | 4058075799585 | 8 | 50/60 Hz | > 0.9 | 680 | 85 | 3000 | 90 | 36° |
| SP FIX P 8W 930 PS DIM IP44 SI | 4058075799608 | 8 | 50/60 Hz | > 0.9 | 680 | 85 | 3000 | 90 | 36° |
| SP ADJ P 8W 927 PS DIM IP20 WT | 4058075799622 | 8 | 50/60 Hz | > 0.9 | 640 | 80 | 2700 | 90 | 36° |
| SP ADJ P 8W 930 PS DIM IP20 WT | 4058075799646 | 8 | 50/60 Hz | > 0.9 | 680 | 85 | 3000 | 90 | 36° |
| SP ADJ P 8W 940 PS DIM IP20 WT | 4058075799660 | 8 | 50/60 Hz | > 0.9 | 720 | 90 | 4000 | 90 | 36° |
| SP ADJ P 8W 927 PS DIM IP20 BK | 4099854000140 | 8 | 50/60 Hz | > 0.9 | 640 | 80 | 2700 | 90 | 36° |
| SP ADJ P 8W 930 PS DIM IP20 BK | 4058075799684 | 8 | 50/60 Hz | > 0.9 | 680 | 85 | 3000 | 90 | 36° |
| SP ADJ P 8W 930 PS DIM IP20 SI | 4058075799707 | 8 | 50/60 Hz | > 0.9 | 680 | 85 | 3000 | 90 | 36° |

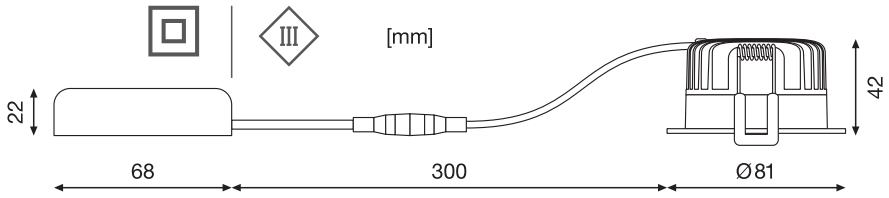
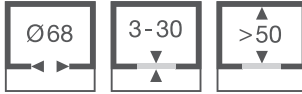
| | EAN |  CC mA |  V _{DC} | IP | IK | Ø x h [mm] |  |  (°C) |
|--------------------------------|---------------|--|--|-------|----|---------------|---|--|
| SP FIX P 8W 927 PS DIM IP44 WT | 4058075799523 | 180 | 30 - 40 | 44/20 | 05 | 81x42 | 0.3 kg | -20...+40 |
| SP FIX P 8W 930 PS DIM IP44 WT | 4058075799547 | 180 | 30 - 40 | 44/20 | 05 | 81x42 | 0.3 kg | -20...+40 |
| SP FIX P 8W 940 PS DIM IP44 WT | 4058075799561 | 180 | 30 - 40 | 44/20 | 05 | 81x42 | 0.3 kg | -20...+40 |
| SP FIX P 8W 927 PS DIM IP44 BK | 4099854000126 | 180 | 30 - 40 | 44/20 | 05 | 81x42 | 0.3 kg | -20...+40 |
| SP FIX P 8W 930 PS DIM IP44 BK | 4058075799585 | 180 | 30 - 40 | 44/20 | 05 | 81x42 | 0.3 kg | -20...+40 |
| SP FIX P 8W 930 PS DIM IP44 SI | 4058075799608 | 180 | 30 - 40 | 44/20 | 05 | 81x42 | 0.3 kg | -20...+40 |
| SP ADJ P 8W 927 PS DIM IP20 WT | 4058075799622 | 180 | 30 - 40 | 20 | 03 | 81x43 | 0.3 kg | -20...+40 |
| SP ADJ P 8W 930 PS DIM IP20 WT | 4058075799646 | 180 | 30 - 40 | 20 | 03 | 81x43 | 0.3 kg | -20...+40 |
| SP ADJ P 8W 940 PS DIM IP20 WT | 4058075799660 | 180 | 30 - 40 | 20 | 03 | 81x43 | 0.3 kg | -20...+40 |
| SP ADJ P 8W 927 PS DIM IP20 BK | 4099854000140 | 180 | 30 - 40 | 20 | 03 | 81x43 | 0.3 kg | -20...+40 |
| SP ADJ P 8W 930 PS DIM IP20 BK | 4058075799684 | 180 | 30 - 40 | 20 | 03 | 81x43 | 0.3 kg | -20...+40 |
| SP ADJ P 8W 930 PS DIM IP20 SI | 4058075799707 | 180 | 30 - 40 | 20 | 03 | 81x43 | 0.3 kg | -20...+40 |

SPOT FIX

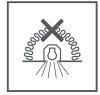


IP20

IP44

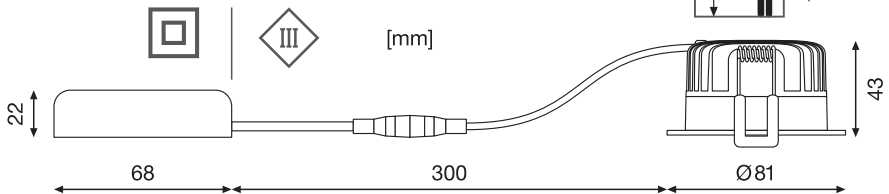
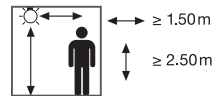


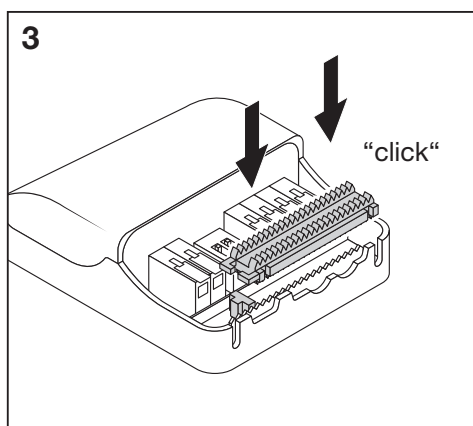
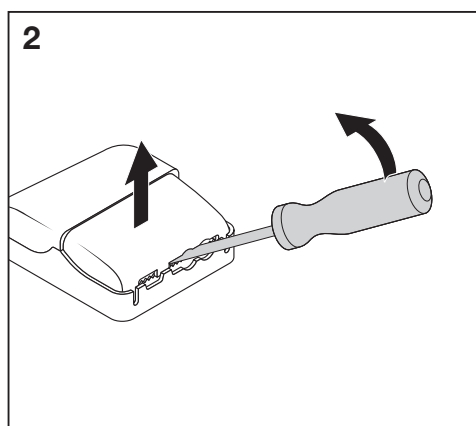
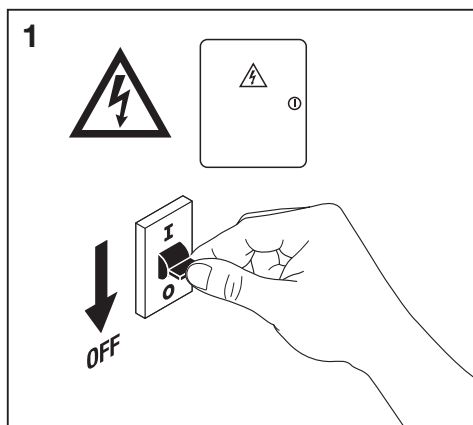
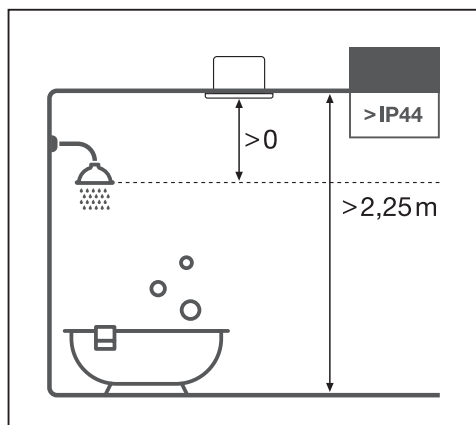
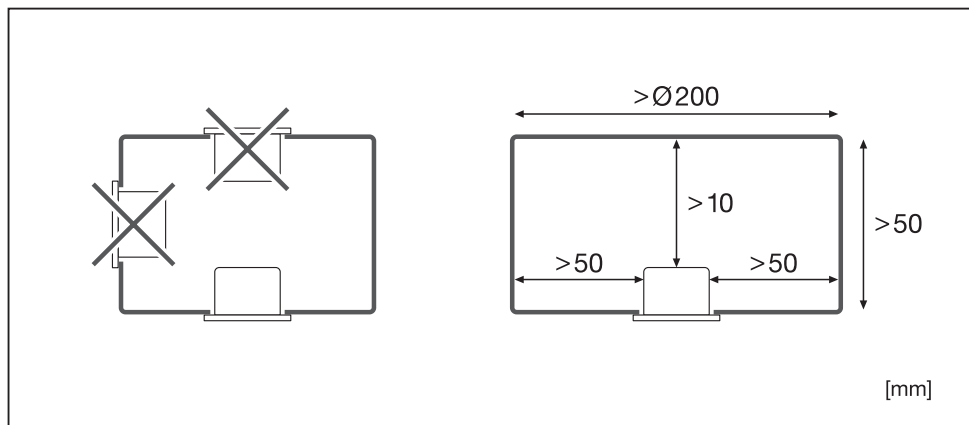
SPOT ADJUST



IP20

IP20

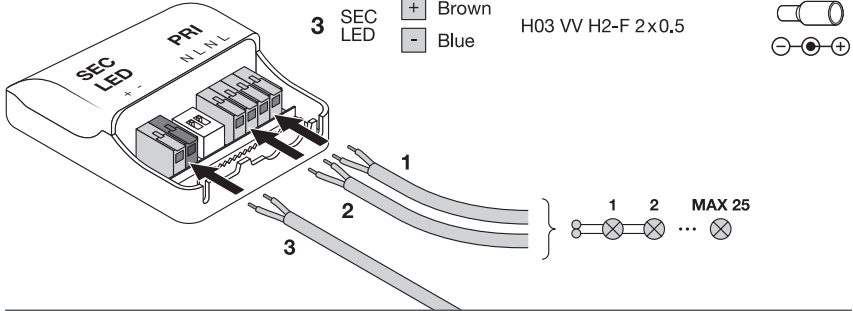




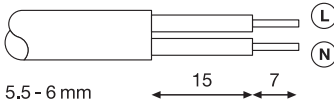
4

- 1 N Blue H03 VV-F 2x0.75 D5.5
- 2 PRI L Brown H05 VV-F 2x1.0 D6.0
- H05 VV-F 2x1.5 D7.5

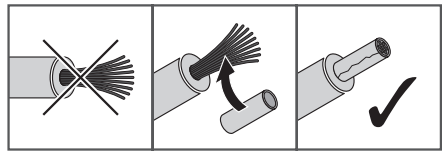
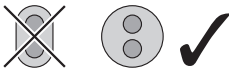
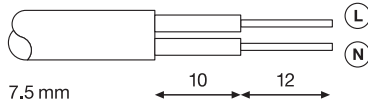
- 3 SEC LED + Brown H03 VV H2-F 2x0.5
- Blue



H03 VV-F 2 x 0.75 D 5.5
H05 VV-F 2 x 1.0 D 6.0











H05 VV-F 2 x 1.5 D 7.5

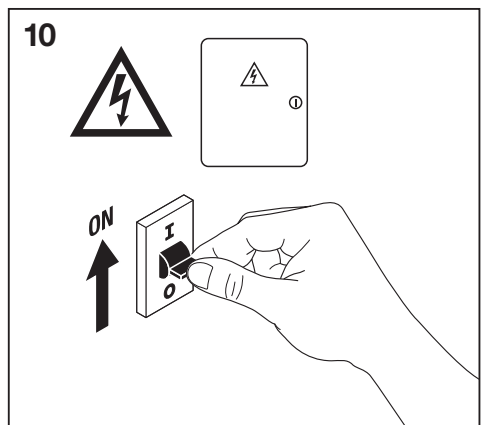
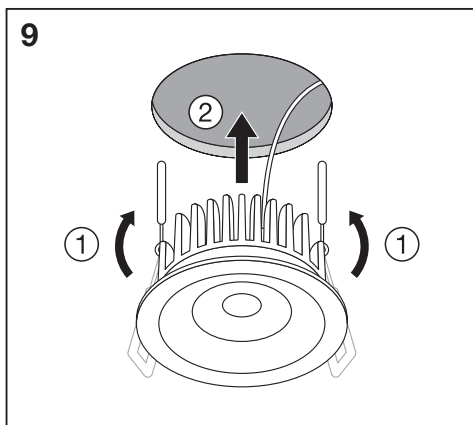
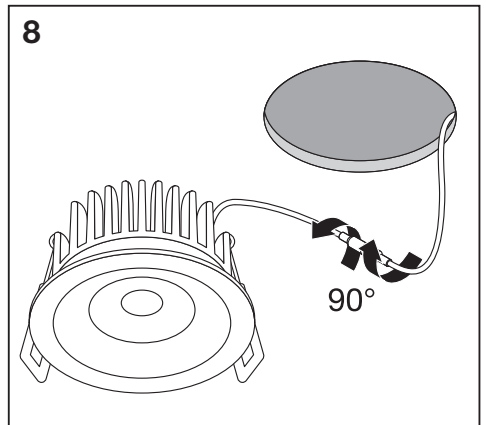
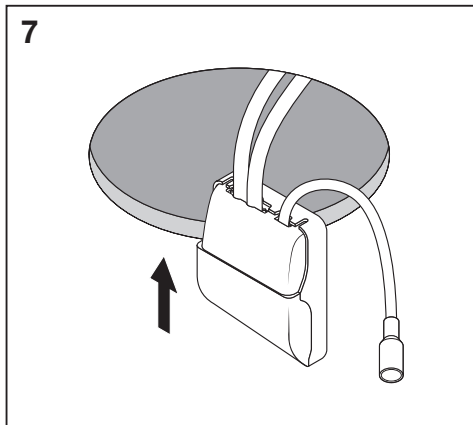
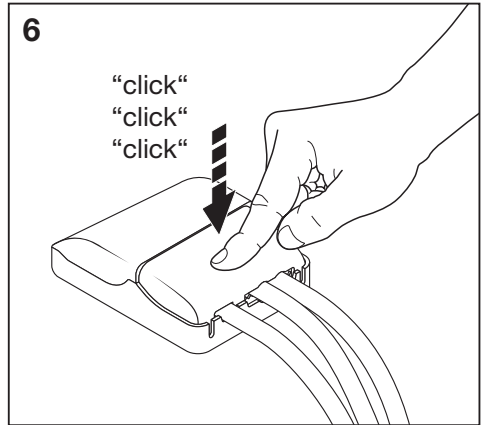


| | C10 | B16 | C16 |
|-------------------|-------|-------|-------|
| Spot Fix P 8 W | n=210 | n=336 | n=336 |
| Spot Adjust P 8 W | | | |

5

SPOT FIX
SPOT ADJUST

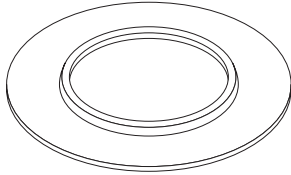
| | | | | |
|---|---|---|---|-------|
|  |  |  |  | |
|  |  |  |  | |
| Preset | | | | |
| Current (CC) | 85mA | 140mA | 180mA | 140mA |
| Power | 4W | 6W | 8W | 6W |
| % rated lumen | 50% | 80% | 100% | 80% |



SP RING D133

EAN 4099854013355 (WHITE)

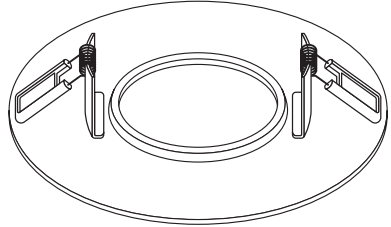
EAN 4099854013386 (BLACK)



SP RING D180

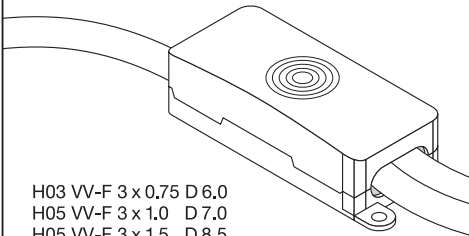
EAN 4099854013416 (WHITE)

EAN 4099854013447 (BLACK)



CONNECTOR BOX 3 POLE

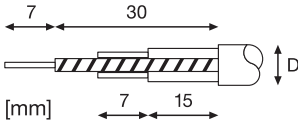
EAN 4099854013508



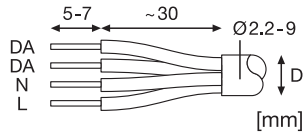
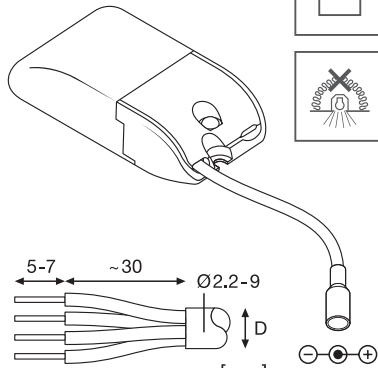
H03 VV-F 3 x 0,75 D 6,0

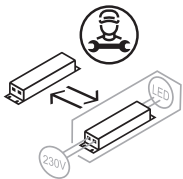
H05 VV-F 3 x 1,0 D 7,0

H05 VV-F 3 x 1,5 D 8,5



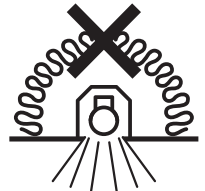
SP DRIVER DALI PLANNED





≥ 1.50m

≥ 2.50m



FR

Cet appareil et ses accessoires se recyclent

À DÉPOSER EN MAGASIN

À DÉPOSER EN DÉCHÈTERIE



Points de collecte sur www.quefairedemesdechets.fr



LEDVANCE GmbH
Steinerne Furt 62
86167 Augsburg, Germany
www.ledvance.com

C10449058
G11146529

10.08.22

© LEDVANCE Ltd, Aquila House
Delta Crescent, Westbrook, Warrington
WA5 7NR, United Kingdom