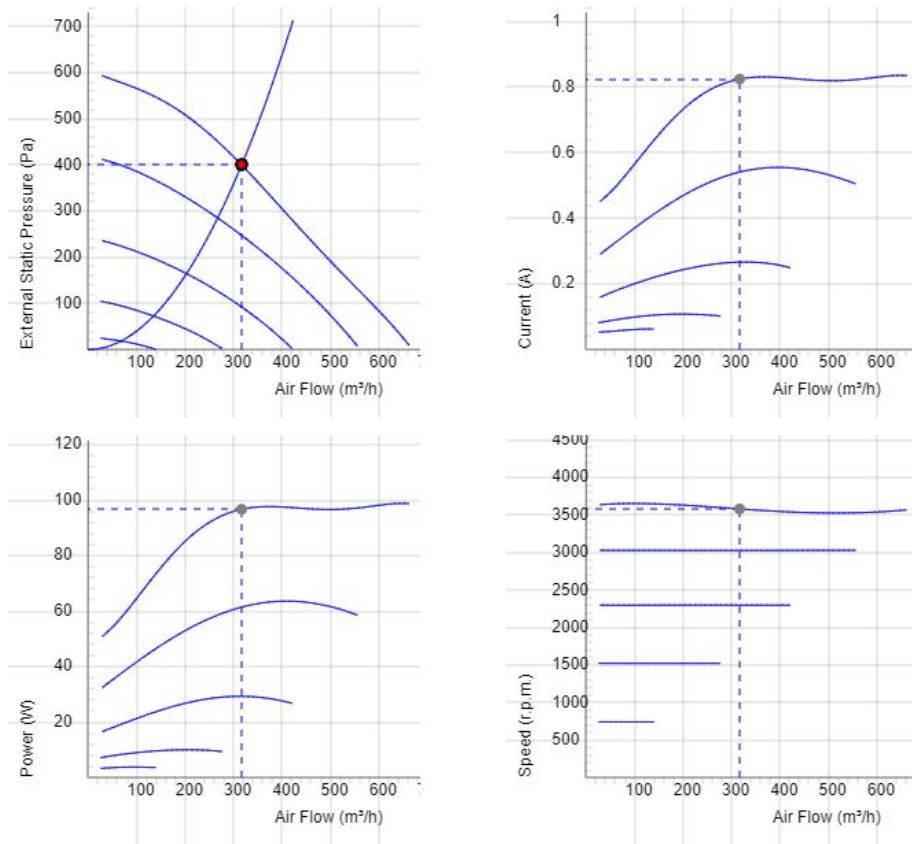


KVFU 125 C1 EC



- Wall fan with circular inlet connection.
- KV has a square mounting plate.
- Proven performance and reliability.
- Compact with high capacity and efficiency.
- Suitable for a wide variety of applications.
- Impeller with backward curved blades.
- The external rotor motor has maintenance-free sealed ball-bearings.
- Integrated motor protection.
- Junction box has enclosure class IP 54.
- Speed controlling can be done with the built-in potentiometer, 0-10 V alt. external control.
- Fan housing is manufactured from galvanized sheet steel.
- The fan is intended to be installed in a duct system, mounted on the inside wall.
- Easy installation in any position.
- Can be used in damp environments.

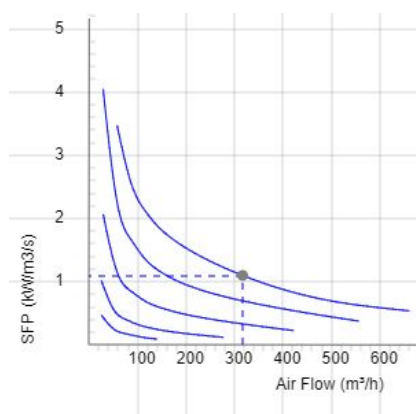
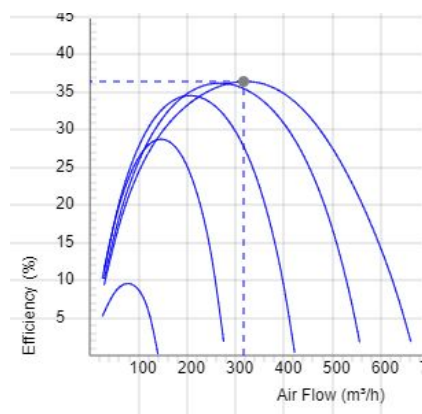
DIAGRAMS



Data

Air Flow (m³/h) 317	External static pressure (Pa) 400	Power (W) 96.7	Speed (r.p.m.) 3582	Current (A) 0.824	Voltage (V) 10
------------------------	--------------------------------------	-------------------	------------------------	----------------------	-------------------

DIAGRAMS

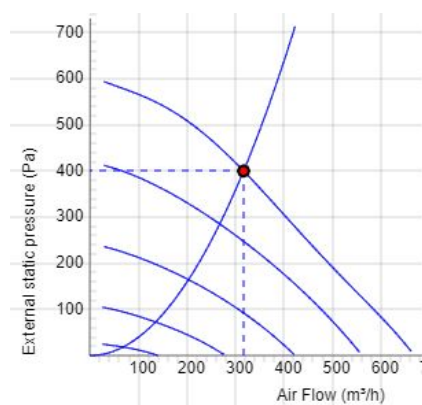


DATA

Efficiency (%)
36.4

SFP (kW/m³/s)
1.1

SOUND DATA



	Tot	63	125	250	500	1k	2k	4k	8k
Inlet Lw dB(A)	78	56	63	72	73	68	68	67	56
Outlet Lw dB(A)	78	43	49	57	68	75	74	68	56
Surrounding Lw dB(A)	54	28	41	45	46	49	49	44	34
Surrounding Lp dB (A) 20m² Sabine, hemispherical 3m	47								

Data - SOUND

Air Flow (m³/h) 317	External static pressure (Pa) 400	Power (W) 96.7	Speed (r.p.m.) 3582	Current (A) 0.824	Efficiency (%) 36.4	SFP (kW/m³/s) 1.1	Voltage (V) 10
------------------------	--------------------------------------	-------------------	------------------------	----------------------	------------------------	----------------------	-------------------

TECHNICAL DATA

KVFU 125 C1 EC-y1 7100264

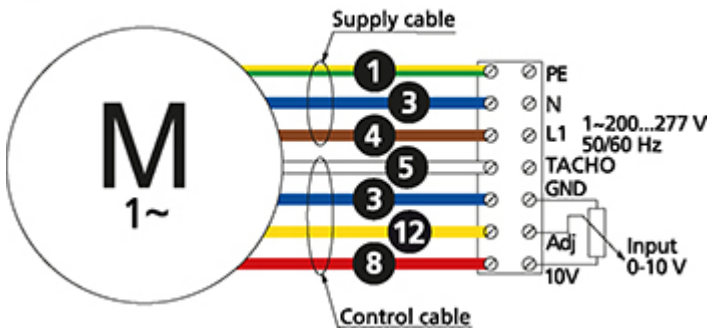
Parameter	Value	Unit
Voltage	230	V
Phase	1	~
Frequency	50/60	Hz
Power	98	W
Current	0.82	A
Speed	3530	r.p.m.
Max. temperature of transported air	60	°C
Sound pressure level at 3 m	47	dB(A)
Weight	2.7	kg
Enclosure class	44	IP
Insulation class, motor	F	
Duct connection	125	mm
Max. flow	669.60187488525	m ³ /h
Max. pressure	605	Pa
Voltage range	200-277	V

PRODUCT INFORMATION SHEET

Parameter	Value	Unit
(a) Manufacturer	Östberg	-
(b) Model code	KVFU 125 C1 EC	-
(c) Declared type	NRVU / UVU	-
(d) Type of drive	Variable speed drive	-
(e) Type of HRS	N/A	-
(f) Thermal efficiency	N/A	%
(g) Nominal flow rate	0.083	m ³ /s
(h) Effective power input	0.096	kW
(i) SFP int	N/A	W/(m ³ /s)
(j) Face velocity	6.7	m/s
(k) Nominal external pressure	425	Pa
(l) Internal pressure drop	N/A	Pa
(n) Static efficiency	45.0	%
(o) External (and internal) leakage rate	N/A (N/A)	%
(p) Filter classification	N/A	%
(q) Visual filter warning	N/A	-
(r) Sound power level	54	dB LwA
(s) Disassembly instructions	fsp.ostberg.com	-

WIRING DIAGRAM

4040153



(M) = Fan Motor

(M1) = Fan Motor

(M2) = Fan Motor

(M3) = Rotor Motor

1 = Yellow/Green

2 = Black

3 = Blue

4 = Brown

5 = White

6 = Orange

7 = Grey

8 = Red

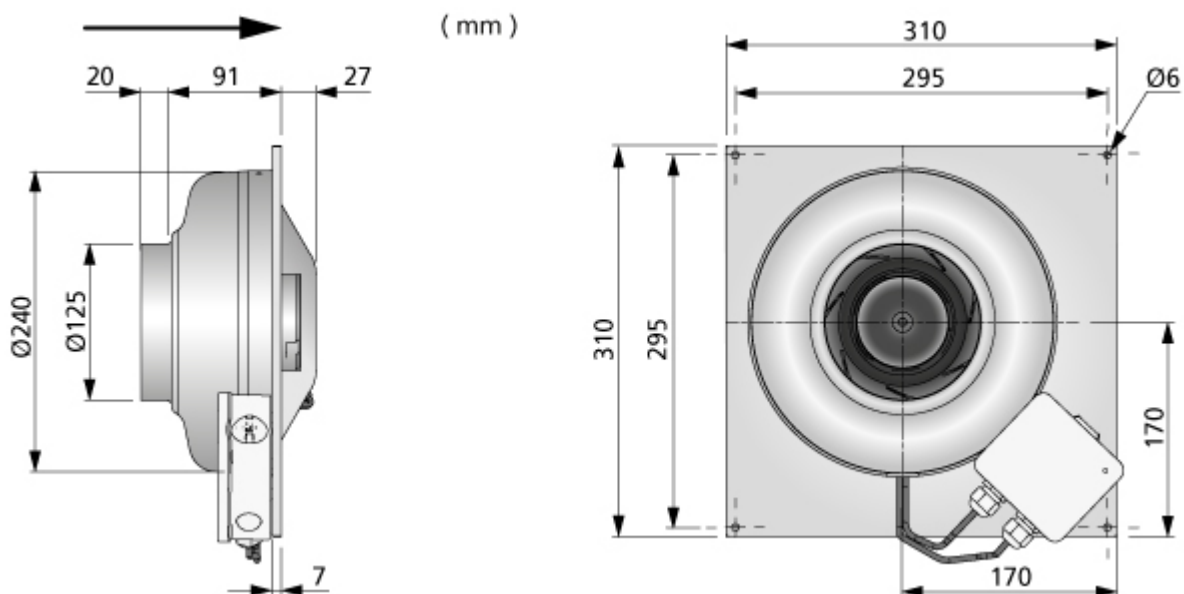
9 = Green

10 = Violet

11 = Quick switch

12 = Yellow

DIMENSIONS



ACCESSORIES

Electrical accessories



Speed controller MS
EC



Controller IQ-Reg EC



Pressure regulator
CALAIR-PR-230V



Pressure regulator
FKP-R

Mechanical accessories



Mounting clamp MK
125



Safety grille BSV 125



Safety grille BSR 250



Back draught shutter
RSK 125



Louvre YG 250



Louvre shutter VK
250



Silencer LDC 125