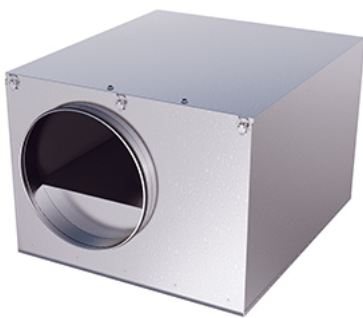


IRB 500 B3 EC



- Insulated duct fan with circular connections.
- Equipped with 50 mm of thermal and acoustic insulation makes it ideal for handling cold air.
- Designed for high pressure and long duct runs.
- The design prioritise functionality, durability and longevity.
- Impeller with backward curved blades.
- The external rotor motor has maintenance-free sealed ball-bearings and is very energy efficient.
- Integrated motor protection.
- Junction box has enclosure class IP 54.
- Speed controlling can be done with the built-in potentiometer, 0-10 V alt. external control.
- The housing is manufactured from galvanized sheet steel.
- Duct connections are equipped with rubber seals.
- The fan is intended to be installed in a duct system.
- A duct connected fan can be installed outside or in damp environments.

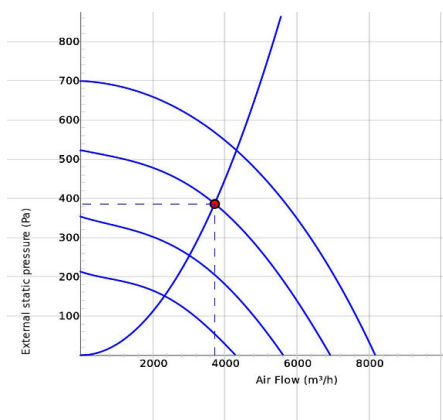
DIAGRAMS



Work Point

Air Flow (m ³ /h) 3715	External static pressure (Pa) 387	Power (W) 804	Speed (r.p.m.) 1055	Current (A) 1.28	Efficiency (%) 49.6	SFP (kW/m ³ /s) 0.779	Voltage (V) 8
---	---	------------------	------------------------	---------------------	------------------------	-------------------------------------	------------------

SOUND DATA



	Tot	63	125	250	500	1k	2k	4k	8k
Inlet Lw dB(A)	68	59	67	57	51	46	44	39	42
Outlet Lw dB(A)	77	66	76	64	60	61	58	54	57
Surrounding Lw dB(A)	62	51	61	52	43	38	34	33	30
Surrounding Lp dB (A) 20m ² Sabine, hemispherical 3m	55								

Work Point

Air Flow (m ³ /h) 3715	External static pressure (Pa) 387	Power (W) 804	Speed (r.p.m.) 1055	Current (A) 1.28	Efficiency (%) 49.6	SFP (kW/m ³ /s) 0.779	Voltage (V) 8
--------------------------------------	--------------------------------------	------------------	------------------------	---------------------	------------------------	-------------------------------------	------------------

TECHNICAL DATA

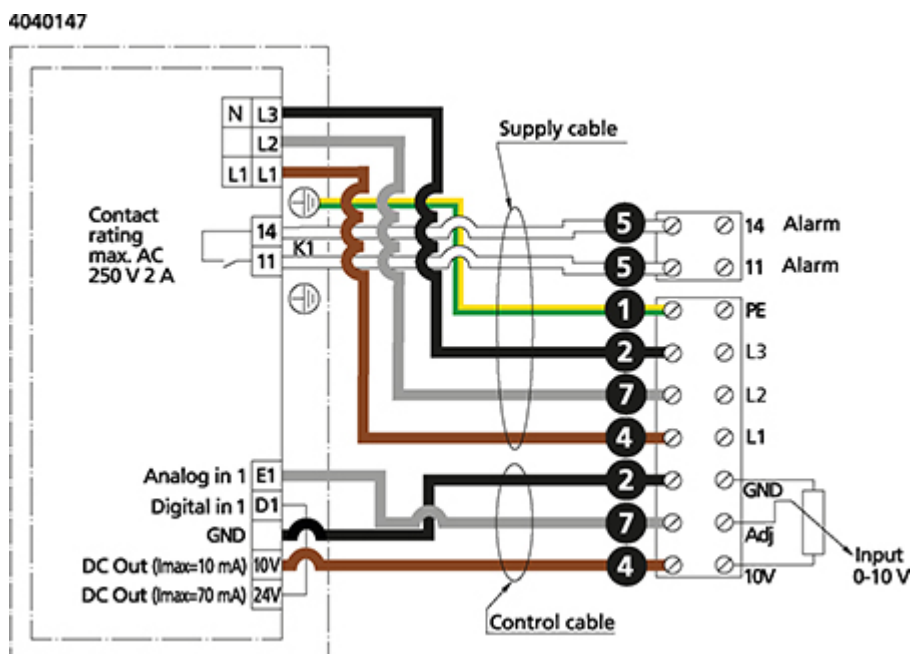
IRB 500 B3 EC 7890043

Parameter	Value	Unit
Voltage	400	V
Phase	3	~
Frequency	50/60	Hz
Power	1330	W
Current	2.09	A
Speed	1230	r.p.m.
Max. temperature of transported air	40	°C
Sound pressure level at 3 m	63	dB(A)
Weight	99.3	kg
Enclosure class	54	IP
Insulation class, motor	F	
Duct connection	500	mm
Max. flow	8172.0228816641	m ³ /h
Max. pressure	701	Pa
Voltage range	380-480	V

ECODESIGN

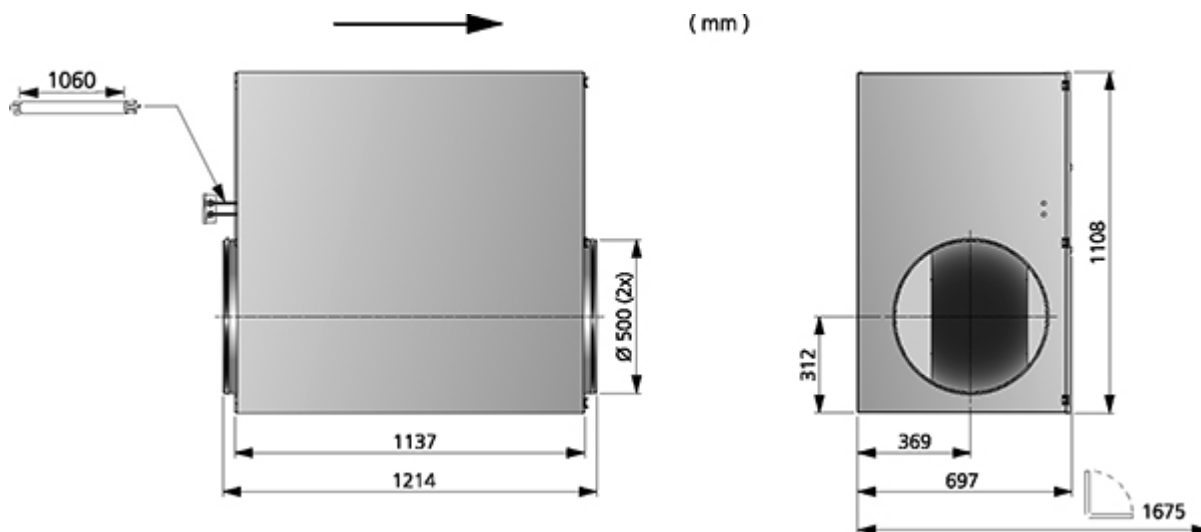
Parameter	Value	Unit
(a) Manufacturer	Östberg	-
(b) Model code	IRB 500 B3 EC	-
(c) Declared type	NRVU / UVU	-
(d) Type of drive	Variable speed drive	-
(e) Type of HRS	N/A	-
(f) Thermal efficiency	N/A	%
(g) Nominal flow rate	1.262	m ³ /s
(h) Effective power input	1.287	kW
(i) SFP int	N/A	W/(m ³ /s)
(j) Face velocity	6.4	m/s
(k) Nominal external pressure	534	Pa
(l) Internal pressure drop	N/A	Pa
(n) Static efficiency	63.0	%
(o) External (and internal) leakage rate	0.26	%
(p) Filter classification	N/A	%
(q) Visual filter warning	N/A	-
(r) Sound power level	70	dB LwA
(s) Disassembly instructions	www.ostberg.com	-

WIRING DIAGRAM



- (M) = Fan Motor
- (M1) = Fan Motor
- (M2) = Fan Motor
- (M3) = Rotor Motor
- 1 = Yellow/Green
- 2 = Black
- 3 = Blue
- 4 = Brown
- 5 = White
- 6 = Orange
- 7 = Grey
- 8 = Red
- 9 = Green
- 10 = Violet
- 11 = Quick switch
- 12 = Yellow

DIMENSIONS



ACCESSORIES

Mechanical accessories



Mounting clamp MK
500



Safety grille BSV 500



Back draught shutter
RSK 500



Louvre shutter VK
500

Electrical accessories



Controller IQ-Reg EC



Speed controller MS
EC



Pressure regulator
CALAIR-PR-230V



Pressure regulator
FKP-R