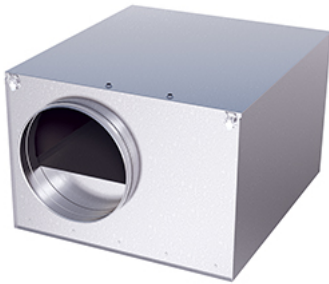
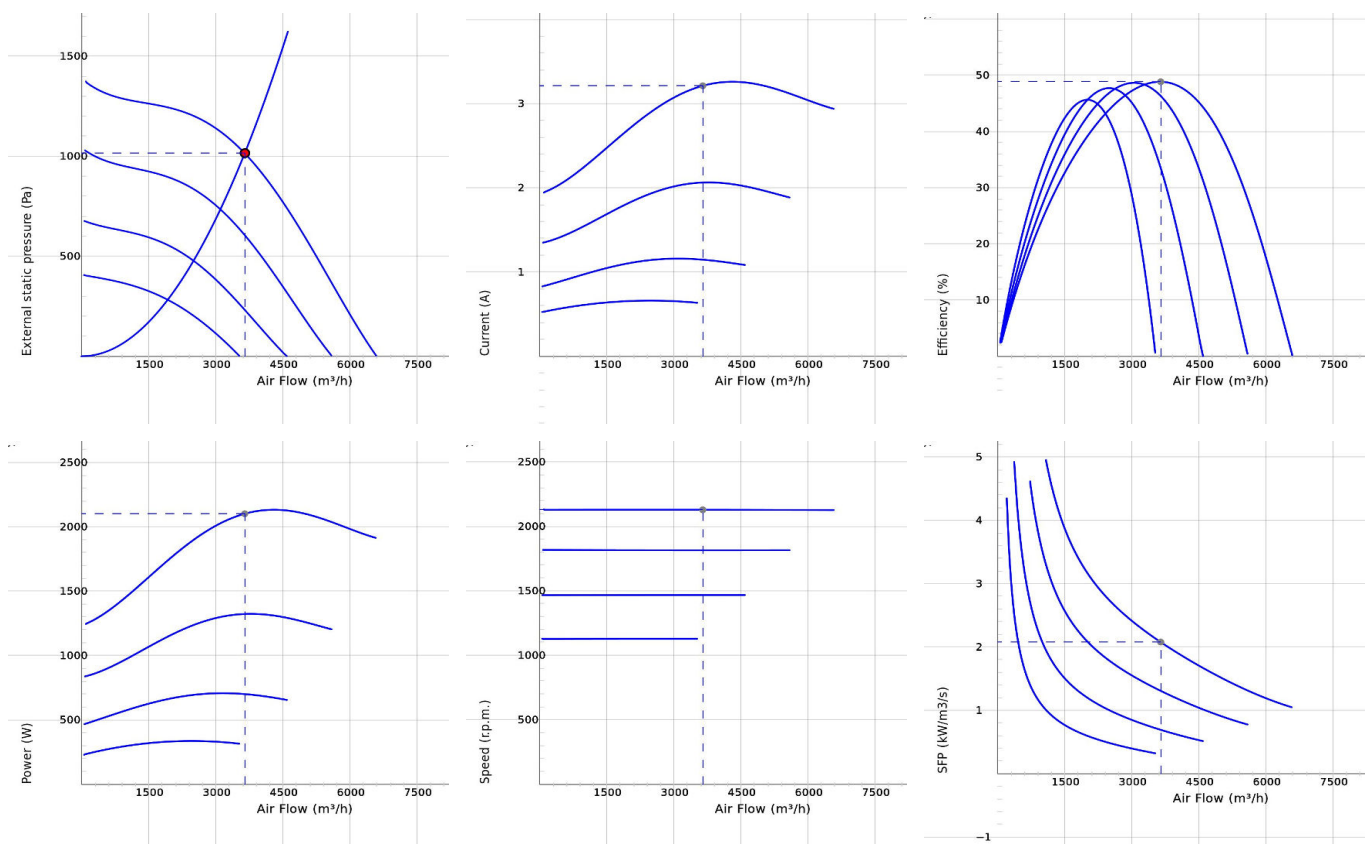


## IRB 400 E3 EC



- Insulated duct fan with circular connections.
- Equipped with 50 mm of thermal and acoustic insulation makes it ideal for handling cold air.
- Designed for high pressure and long duct runs.
- The design prioritise functionality, durability and longevity.
- Impeller with backward curved blades.
- The external rotor motor has maintenance-free sealed ball-bearings and is very energy efficient.
- Integrated motor protection.
- Junction box has enclosure class IP 54.
- Speed controlling can be done with the built-in potentiometer, 0-10 V alt. external control.
- The housing is manufactured from galvanized sheet steel.
- Duct connections are equipped with rubber seals.
- The fan is intended to be installed in a duct system.
- A duct connected fan can be installed outside or in damp environments.

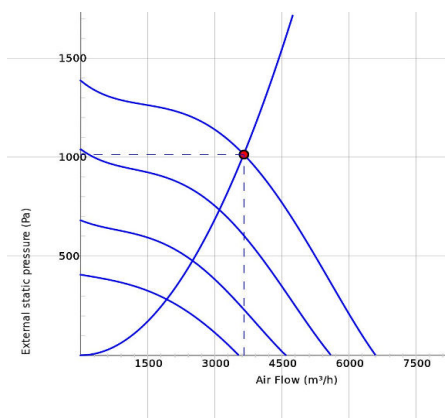
## DIAGRAMS



## Work Point

Air Flow (m³/h) 3643	External static pressure (Pa) 1014	Power (W) 2102	Speed (r.p.m.) 2129	Current (A) 3.21	Efficiency (%) 48.8	SFP (kW/m³/s) 2.08	Voltage (V) 10
-------------------------	---------------------------------------	-------------------	------------------------	---------------------	------------------------	-----------------------	-------------------

## SOUND DATA



	Tot	63	125	250	500	1k	2k	4k	8k
Inlet Lw dB(A)	81	68	72	79	68	65	58	55	56
Outlet Lw dB(A)	86	73	77	84	77	75	71	66	64
Surrounding Lw dB(A)	72	57	62	72	55	49	45	45	42
Surrounding Lp dB (A) 20m <sup>2</sup> Sabine, hemispherical 3m	65								

## Work Point

Air Flow (m <sup>3</sup> /h) 3643	External static pressure (Pa) 1014	Power (W) 2102	Speed (r.p.m.) 2129	Current (A) 3.21	Efficiency (%) 48.8	SFP (kW/m <sup>3</sup> /s) 2.08	Voltage (V) 10
--------------------------------------	---------------------------------------	-------------------	------------------------	---------------------	------------------------	------------------------------------	-------------------

## TECHNICAL DATA

### IRB 400 E3 EC 7890039

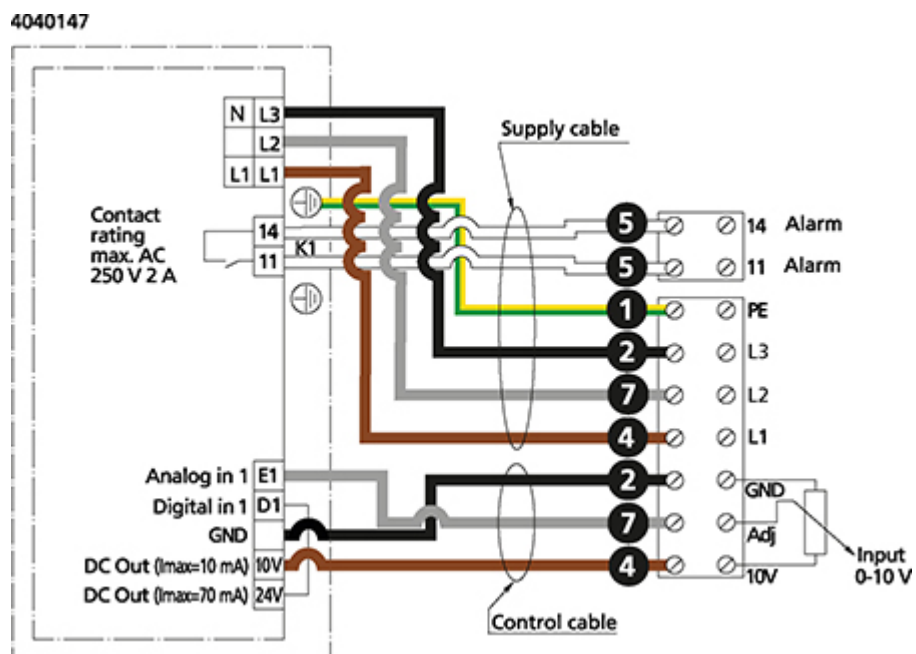
Parameter	Value	Unit
Voltage	400	V
Phase	3	~
Frequency	50/60	Hz
Power	2120	W
Current	3.25	A
Speed	2130	r.p.m.
Max. temperature of transported air	40	°C
Sound pressure level at 3 m	67	dB(A)
Weight	62.1	kg
Enclosure class	54	IP
Insulation class, motor	F	
Duct connection	400	mm
Max. flow	6591.6184565317	m <sup>3</sup> /h
Max. pressure	1375	Pa
Voltage range	380-480	V

## ECODESIGN

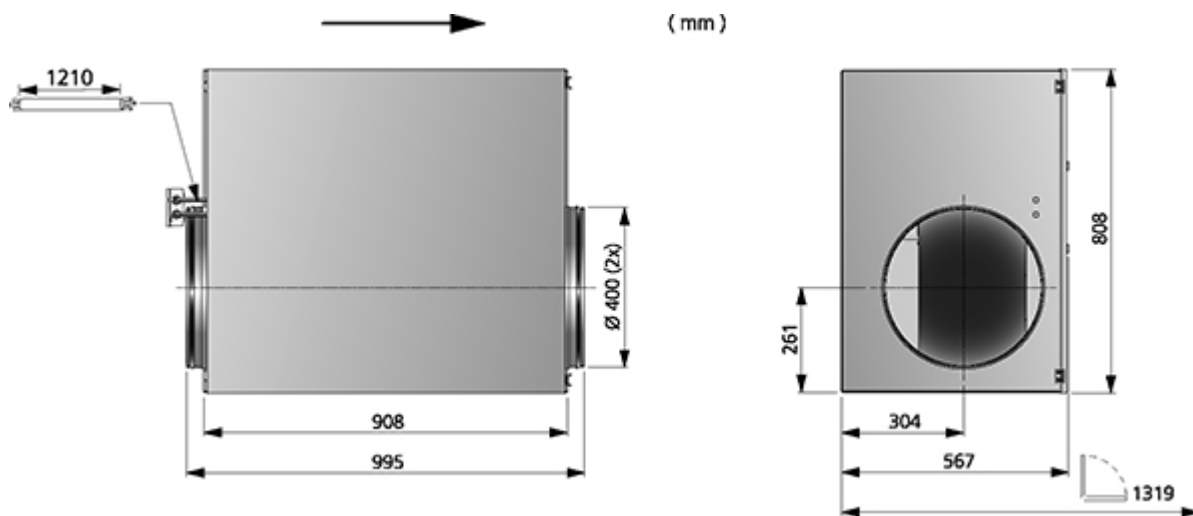
Parameter	Value	Unit
(a) Manufacturer	Östberg	-
(b) Model code	IRB 400 E3 EC	-
(c) Declared type	NRVU / UVU	-
(d) Type of drive	Variable speed drive	-
(e) Type of HRS	N/A	-
(f) Thermal efficiency	N/A	%
(g) Nominal flow rate	1.127	m <sup>3</sup> /s
(h) Effective power input	2.120	kW
(i) SFP int	N/A	W/(m <sup>3</sup> /s)
(j) Face velocity	9.0	m/s
(k) Nominal external pressure	911	Pa
(l) Internal pressure drop	N/A	Pa
(n) Static efficiency	61.3	%
(o) External (and internal) leakage rate	0.22	%
(p) Filter classification	N/A	%
(q) Visual filter warning	N/A	-
(r) Sound power level	74	dB LwA
(s) Disassembly instructions	<a href="http://www.ostberg.com">www.ostberg.com</a>	-

## WIRING DIAGRAM

- Ⓜ = Fan Motor
- Ⓜ1 = Fan Motor
- Ⓜ2 = Fan Motor
- Ⓜ3 = Rotor Motor
- ① = Yellow/Green
- ② = Black
- ③ = Blue
- ④ = Brown
- ⑤ = White
- ⑥ = Orange
- ⑦ = Grey
- ⑧ = Red
- ⑨ = Green
- ⑩ = Violet
- ⑪ = Quick switch
- ⑫ = Yellow



## DIMENSIONS



## ACCESSORIES

### Electrical accessories



Controller IQ-Reg EC



Speed controller MS  
EC



Pressure regulator  
CALAIR-PR-230V

### Mechanical accessories



Mounting clamp MK  
400



Safety grille BSV 400



Back draught shutter  
RSK 400



Louvre shutter VK  
400



Filterbox FLK 400



Filterbox FLF 400