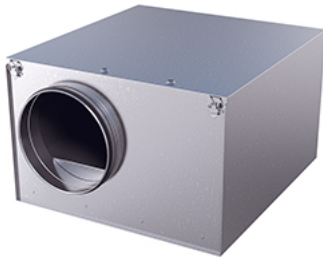
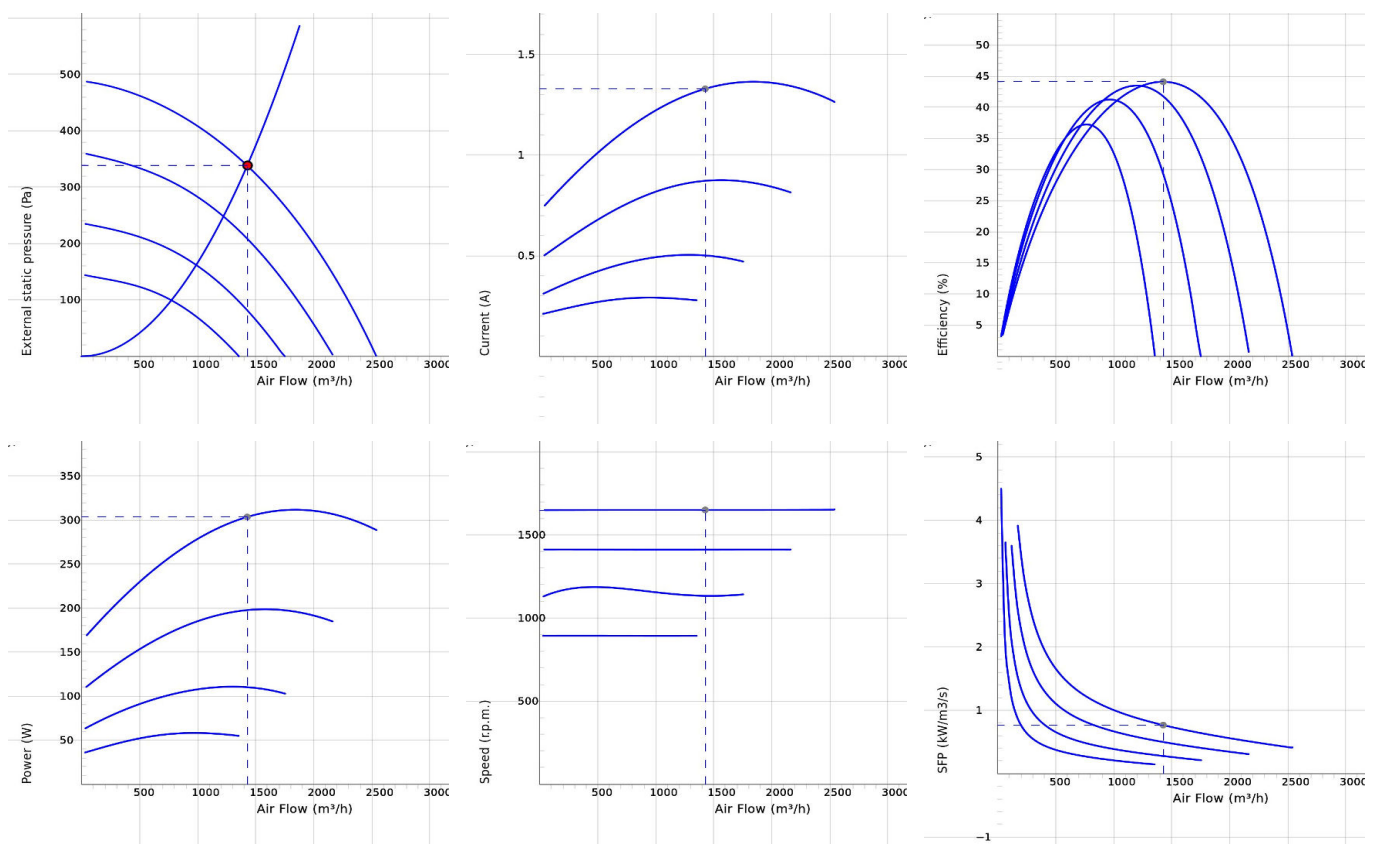


IRB 315 A1 EC



- Insulated duct fan with circular connections.
- Equipped with 50 mm of thermal and acoustic insulation makes it ideal for handling cold air.
- Designed for high pressure and long duct runs.
- The design prioritise functionality, durability and longevity.
- Impeller with backward curved blades.
- The external rotor motor has maintenance-free sealed ball-bearings and is very energy efficient.
- Integrated motor protection.
- Junction box has enclosure class IP 54.
- Speed controlling can be done with the built-in potentiometer, 0-10 V alt. external control.
- The housing is manufactured from galvanized sheet steel.
- Duct connections are equipped with rubber seals.
- The fan is intended to be installed in a duct system.
- A duct connected fan can be installed outside or in damp environments.

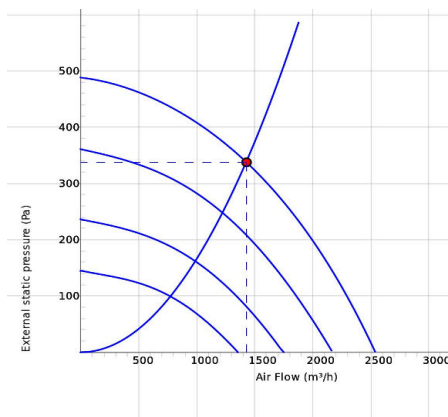
DIAGRAMS



Work Point

Air Flow (m³/h)	External static pressure (Pa)	Power (W)	Speed (r.p.m.)	Current (A)	Efficiency (%)	SFP (kW/m³/s)	Voltage (V)
1426	338	304	1651	1.33	44.1	0.767	10

SOUND DATA



	Tot	63	125	250	500	1k	2k	4k	8k
Inlet Lw dB(A)	68	57	65	63	47	38	39	38	37
Outlet Lw dB(A)	75	62	73	70	60	58	55	53	49
Surrounding Lw dB(A)	58	42	54	55	42	34	31	28	27
Surrounding Lp dB (A) 20m ² Sabine, hemispherical 3m	51								

Work Point

Air Flow (m ³ /h) 1426	External static pressure (Pa) 338	Power (W) 304	Speed (r.p.m.) 1651	Current (A) 1.33	Efficiency (%) 44.1	SFP (kW/m ³ /s) 0.767	Voltage (V) 10
--------------------------------------	--------------------------------------	------------------	------------------------	---------------------	------------------------	-------------------------------------	-------------------

TECHNICAL DATA

IRB 315 A1 EC 7890044

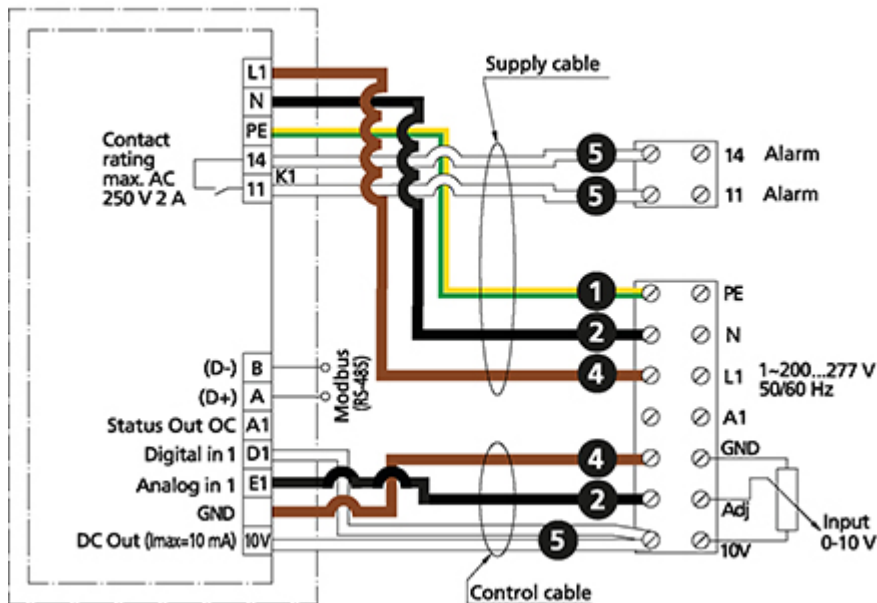
Parameter	Value	Unit
Voltage	230	V
Phase	1	~
Frequency	50/60	Hz
Power	311	W
Current	1.36	A
Speed	1650	r.p.m.
Max. temperature of transported air	60	°C
Sound pressure level at 3 m	53	dB(A)
Weight	49.4	kg
Enclosure class	54	IP
Insulation class, motor	F	
Duct connection	315	mm
Max. flow	2538.0071064199	m ³ /h
Max. pressure	487	Pa
Voltage range	200-277	V

ECODESIGN

Parameter	Value	Unit
(a) Manufacturer	Östberg	-
(b) Model code	IRB 315 A1 EC	-
(c) Declared type	NRVU / UVU	-
(d) Type of drive	Variable speed drive	-
(e) Type of HRS	N/A	-
(f) Thermal efficiency	N/A	%
(g) Nominal flow rate	0.381	m ³ /s
(h) Effective power input	0.303	kW
(i) SFP int	N/A	W/(m ³ /s)
(j) Face velocity	4.9	m/s
(k) Nominal external pressure	357	Pa
(l) Internal pressure drop	N/A	Pa
(n) Static efficiency	65.1	%
(o) External (and internal) leakage rate	0.1	%
(p) Filter classification	N/A	%
(q) Visual filter warning	N/A	-
(r) Sound power level	63	dB LwA
(s) Disassembly instructions	www.ostberg.com	-

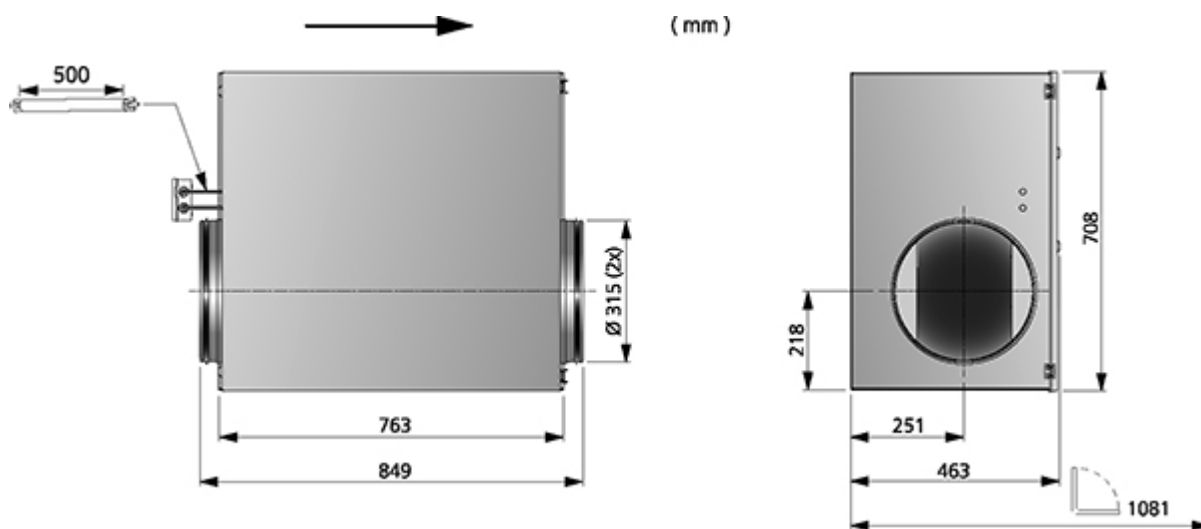
WIRING DIAGRAM

4040175



- (M) = Fan Motor
- (M1) = Fan Motor
- (M2) = Fan Motor
- (M3) = Rotor Motor
- 1 = Yellow/Green
- 2 = Black
- 3 = Blue
- 4 = Brown
- 5 = White
- 6 = Orange
- 7 = Grey
- 8 = Red
- 9 = Green
- 10 = Violet
- 11 = Quick switch
- 12 = Yellow

DIMENSIONS



ACCESSORIES

Mechanical accessories



Mounting bracket Kit
Universal



Mounting clamp MK
315



Safety grille BSV 315



Back draught shutter
RSK 315



Louvre YG 315



Louvre shutter VK
315



Filterbox FLK 315



Filterbox FLF 315



Silencer LDC 315

Electrical accessories



Controller IQ-Reg EC



Speed controller MS
EC



Pressure regulator
CALAIR-PR-230V



Pressure regulator
FKP-R