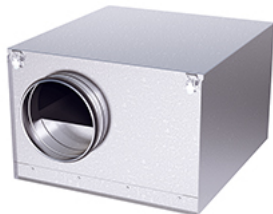
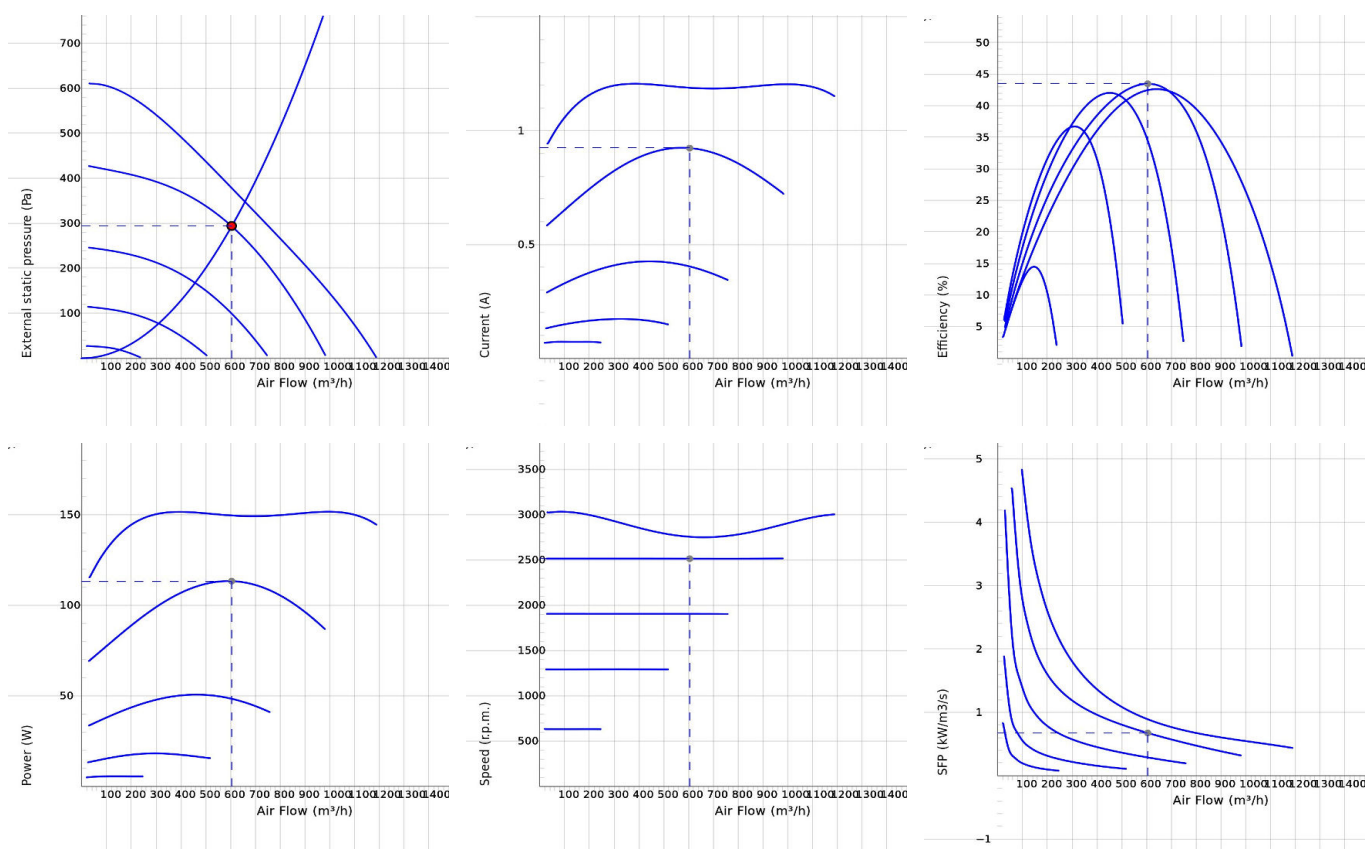


## IRB 250 A1 EC



- Insulated duct fan with circular connections.
- Equipped with 50 mm of thermal and acoustic insulation makes it ideal for handling cold air.
- Designed for high pressure and long duct runs.
- The design prioritise functionality, durability and longevity.
- Impeller with backward curved blades.
- The external rotor motor has maintenance-free sealed ball-bearings and is very energy efficient.
- Integrated motor protection.
- Junction box has enclosure class IP 54.
- Speed controlling can be done with the built-in potentiometer, 0-10 V alt. external control.
- The housing is manufactured from galvanized sheet steel.
- Duct connections are equipped with rubber seals.
- The fan is intended to be installed in a duct system.
- A duct connected fan can be installed outside or in damp environments.

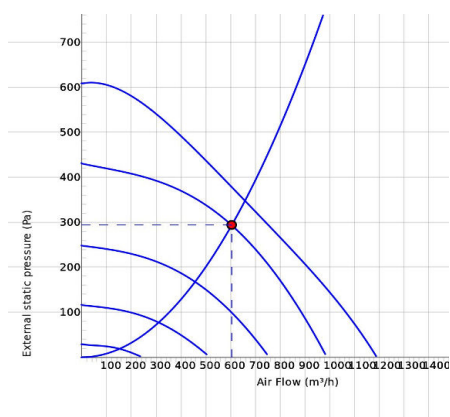
## DIAGRAMS



## Work Point

Air Flow (m³/h)	External static pressure (Pa)	Power (W)	Speed (r.p.m.)	Current (A)	Efficiency (%)	SFP (kW/m³/s)	Voltage (V)
605	293	113	2512	0.924	43.5	0.674	8

## SOUND DATA



	Tot	63	125	250	500	1k	2k	4k	8k
Inlet Lw dB(A)	63	55	54	60	52	50	49	43	38
Outlet Lw dB(A)	71	55	58	66	60	62	66	58	49
Surrounding Lw dB(A)	51	37	38	49	43	38	36	34	30
Surrounding Lp dB (A) 20m <sup>2</sup> Sabine, hemispherical 3m	44								

## Work Point

Air Flow (m <sup>3</sup> /h) 658	External static pressure (Pa) 348	Power (W) 113	Speed (r.p.m.) 2512	Current (A) 0.924	Efficiency (%) 43.5	SFP (kW/m <sup>3</sup> /s) 0.674	Voltage (V) 8
-------------------------------------	--------------------------------------	------------------	------------------------	----------------------	------------------------	-------------------------------------	------------------

## TECHNICAL DATA

### IRB 250 A1 EC-y2 7880123

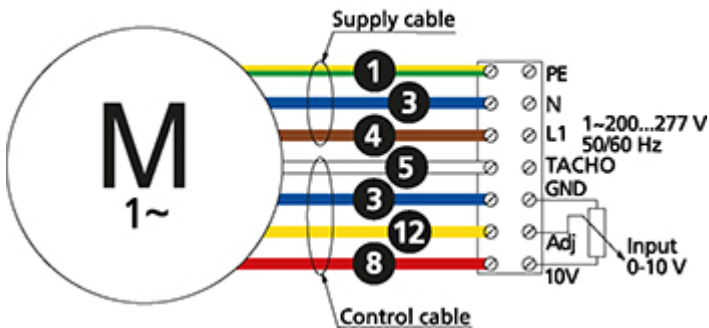
Parameter	Value	Unit
Voltage	230	V
Phase	1	~
Frequency	50/60	Hz
Power	152	W
Current	1.21	A
Speed	2880	r.p.m.
Max. temperature of transported air	60	°C
Sound pressure level at 3 m	44	dB(A)
Weight	17.8	kg
Enclosure class	44	IP
Insulation class, motor	F	
Duct connection	250	mm
Max. flow	1188.0033264093	m <sup>3</sup> /h
Max. pressure	607	Pa
Voltage range	200-277	V

## ECODESIGN

Parameter	Value	Unit
(a) Manufacturer	Östberg	-
(b) Model code	IRB 250 A1 EC	-
(c) Declared type	NRVU / UVU	-
(d) Type of drive	Variable speed drive	-
(e) Type of HRS	N/A	-
(f) Thermal efficiency	N/A	%
(g) Nominal flow rate	0.169	m <sup>3</sup> /s
(h) Effective power input	0.151	kW
(i) SFP int	N/A	W/(m <sup>3</sup> /s)
(j) Face velocity	3.5	m/s
(k) Nominal external pressure	380	Pa
(l) Internal pressure drop	N/A	Pa
(n) Static efficiency	45.7	%
(o) External (and internal) leakage rate	0.33 (N/A)	%
(p) Filter classification	N/A	%
(q) Visual filter warning	N/A	-
(r) Sound power level	51	dB LwA
(s) Disassembly instructions	fsp.ostberg.com	-

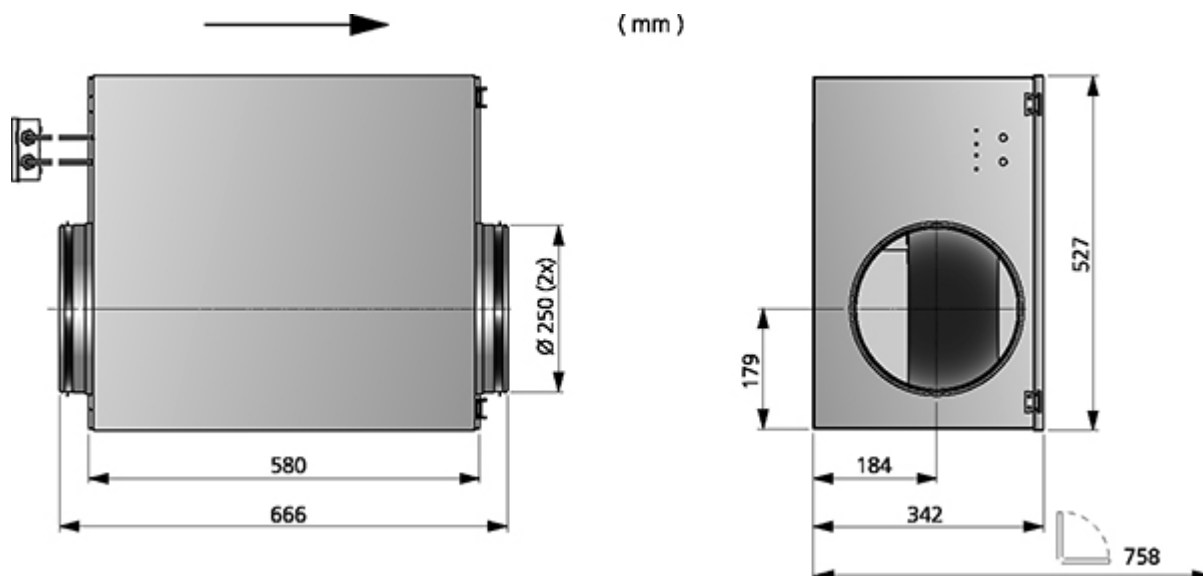
## WIRING DIAGRAM

4040153



- (M) = Fan Motor
- (M1) = Fan Motor
- (M2) = Fan Motor
- (M3) = Rotor Motor
- 1 = Yellow/Green
- 2 = Black
- 3 = Blue
- 4 = Brown
- 5 = White
- 6 = Orange
- 7 = Grey
- 8 = Red
- 9 = Green
- 10 = Violet
- 11 = Quick switch
- 12 = Yellow

## DIMENSIONS



## ACCESSORIES

### Mechanical accessories



Mounting bracket Kit  
Universal



Mounting clamp MK  
250



Filterbox FLK 250



Filterbox FLF 250



Safety grille BSV 250



Back draught shutter  
RSK 250



Louvre YG 250



Louvre shutter VK  
250



Silencer LDC 250

### Electrical accessories



Speed controller MS  
EC



Controller IQ-Reg EC



Pressure regulator  
CALAIR-PR-230V



Pressure regulator  
FKP-R