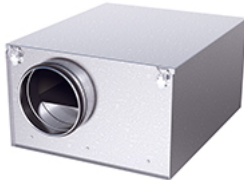
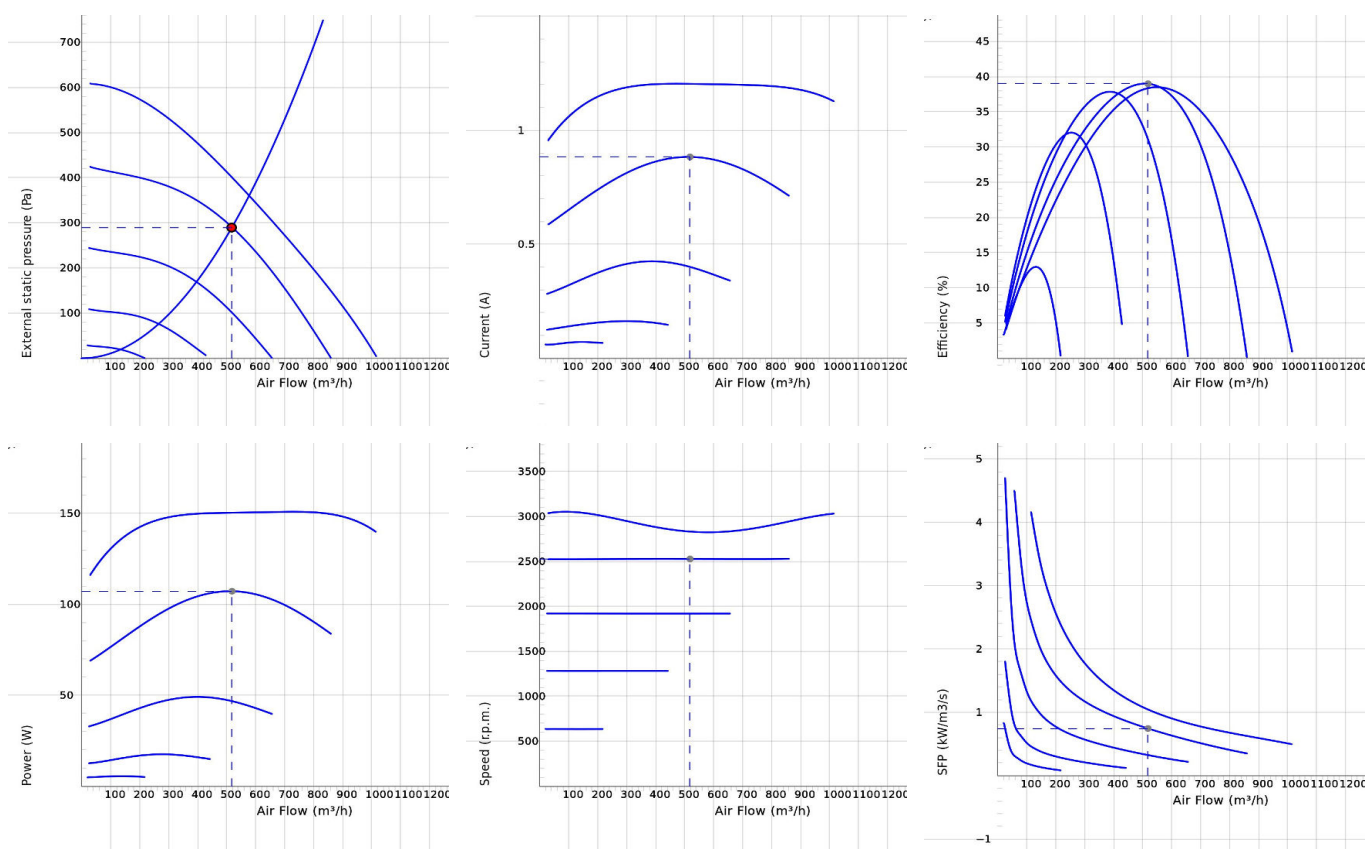


## IRB 200 C1 EC



- Insulated duct fan with circular connections.
- Equipped with 50 mm of thermal and acoustic insulation makes it ideal for handling cold air.
- Designed for high pressure and long duct runs.
- The design prioritise functionality, durability and longevity.
- Impeller with backward curved blades.
- The external rotor motor has maintenance-free sealed ball-bearings and is very energy efficient.
- Integrated motor protection.
- Junction box has enclosure class IP 54.
- Speed controlling can be done with the built-in potentiometer, 0-10 V alt. external control.
- The housing is manufactured from galvanized sheet steel.
- Duct connections are equipped with rubber seals.
- The fan is intended to be installed in a duct system.
- A duct connected fan can be installed outside or in damp environments.

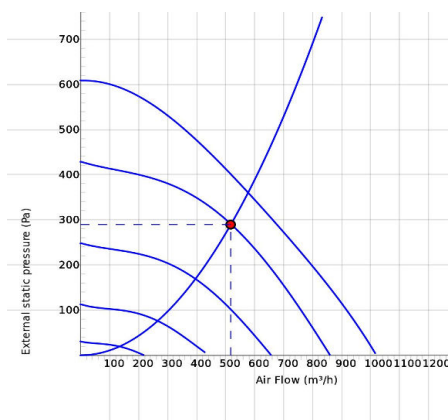
## DIAGRAMS



## Work Point

Air Flow (m³/h)	External static pressure (Pa)	Power (W)	Speed (r.p.m.)	Current (A)	Efficiency (%)	SFP (kW/m³/s)	Voltage (V)
518	290	107	2527	0.883	39	0.745	8

## SOUND DATA



	Tot	63	125	250	500	1k	2k	4k	8k
Inlet Lw dB(A)	65	59	59	59	55	47	43	39	39
Outlet Lw dB(A)	72	60	62	68	65	61	65	58	55
Surrounding Lw dB(A)	50	39	39	48	44	38	35	32	29
Surrounding Lp dB (A) 20m <sup>2</sup> Sabine, hemispherical 3m	43								

## Work Point

Air Flow (m <sup>3</sup> /h) 577	External static pressure (Pa) 360	Power (W) 107	Speed (r.p.m.) 2527	Current (A) 0.883	Efficiency (%) 39	SFP (kW/m <sup>3</sup> /s) 0.745	Voltage (V) 8
-------------------------------------	--------------------------------------	------------------	------------------------	----------------------	----------------------	-------------------------------------	------------------

## TECHNICAL DATA

### IRB 200 C1 EC-y2 7880118

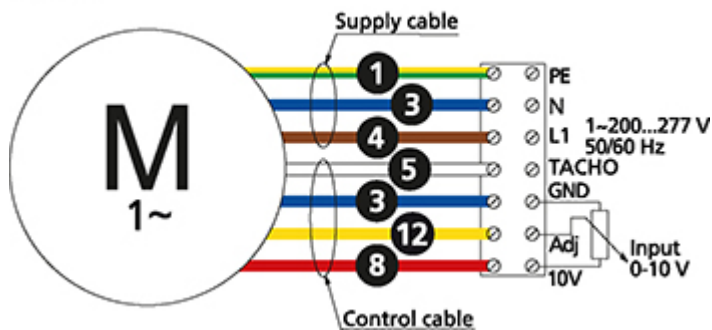
Parameter	Value	Unit
Voltage	230	V
Phase	1	~
Frequency	50/60	Hz
Power	153	W
Current	1.22	A
Speed	2830	r.p.m.
Max. temperature of transported air	60	°C
Sound pressure level at 3 m	44	dB(A)
Weight	19.0	kg
Enclosure class	44	IP
Insulation class, motor	F	
Duct connection	200	mm
Max. flow	1015.202842568	m <sup>3</sup> /h
Max. pressure	609	Pa
Voltage range	200-277	V

## ECODESIGN

Parameter	Value	Unit
(a) Manufacturer	Östberg	-
(b) Model code	IRB 200 C1 EC	-
(c) Declared type	NRVU / UVU	-
(d) Type of drive	Variable speed drive	-
(e) Type of HRS	N/A	-
(f) Thermal efficiency	N/A	%
(g) Nominal flow rate	0.163	m <sup>3</sup> /s
(h) Effective power input	0.150	kW
(i) SFP int	N/A	W/(m <sup>3</sup> /s)
(j) Face velocity	5.2	m/s
(k) Nominal external pressure	352	Pa
(l) Internal pressure drop	N/A	Pa
(n) Static efficiency	45.7	%
(o) External (and internal) leakage rate	0.31 (N/A)	%
(p) Filter classification	N/A	%
(q) Visual filter warning	N/A	-
(r) Sound power level	51	dB LwA
(s) Disassembly instructions	fsp.ostberg.com	-

## WIRING DIAGRAM

4040153



(M) = Fan Motor

(M1) = Fan Motor

(M2) = Fan Motor

(M3) = Rotor Motor

1 = Yellow/Green

2 = Black

3 = Blue

4 = Brown

5 = White

6 = Orange

7 = Grey

8 = Red

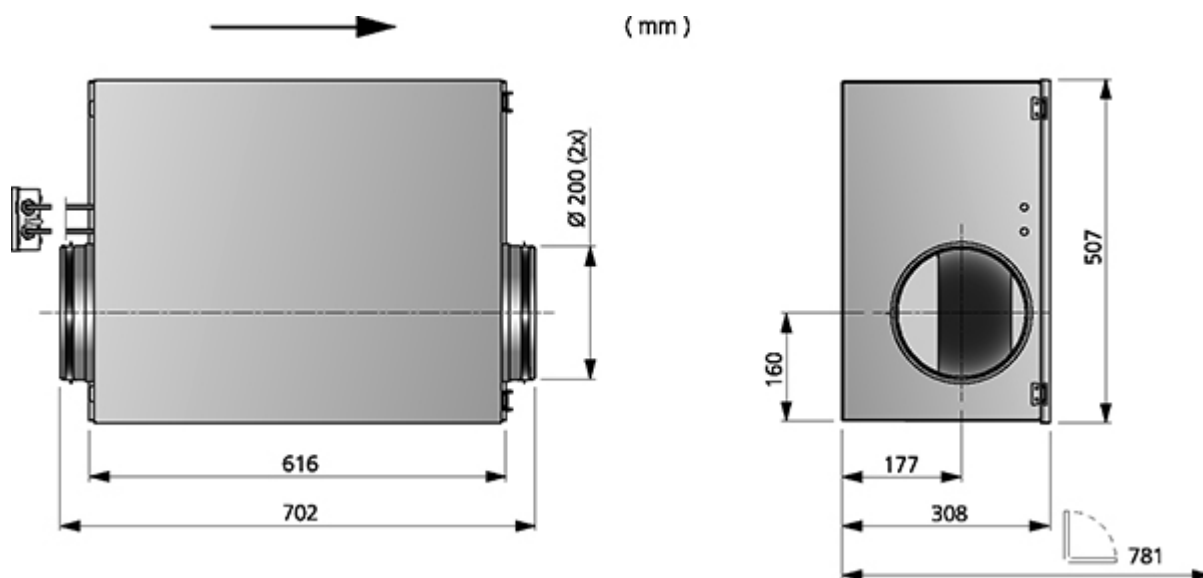
9 = Green

10 = Violet

11 = Quick switch

12 = Yellow

## DIMENSIONS





## ACCESSORIES

### Electrical accessories



Speed controller MS  
EC



Controller IQ-Reg EC



Pressure regulator  
CALAIR-PR-230V



Pressure regulator  
FKP-R

### Mechanical accessories



Mounting bracket Kit  
Universal



Mounting clamp MK  
200



Safety grille BSV 200



Back draught shutter  
RSK 200



Louvre YG 200



Louvre shutter VK  
200



Filterbox FLK 200



Filterbox FLF 200



Silencer LDC 200