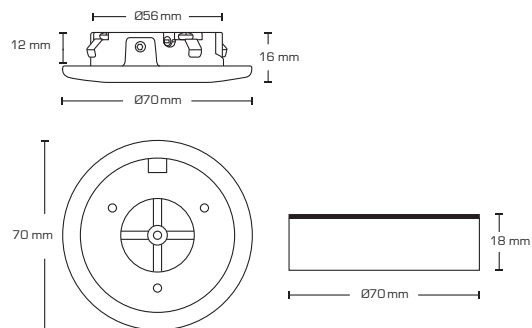
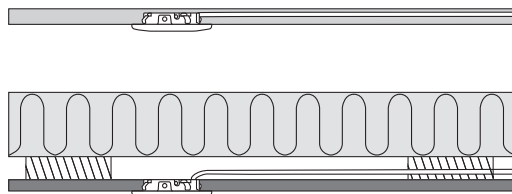
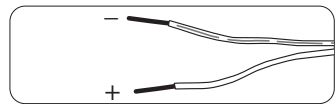


**Please note:**  
**Serial connection**



Serial: 350mA	IP44	Indoor	Ø56	H 12 mm	3,2W	Ra 95	42°	Dimmable	50.000h L90 B10	III	M/M	WEEE	CE
------------------	------	--------	-----	---------------	------	-------	-----	----------	--------------------	-----	-----	------	----

We refer to our website [www.scan-products.com](http://www.scan-products.com) regarding: products, documentation, approvals, dimmer overview, etc.