

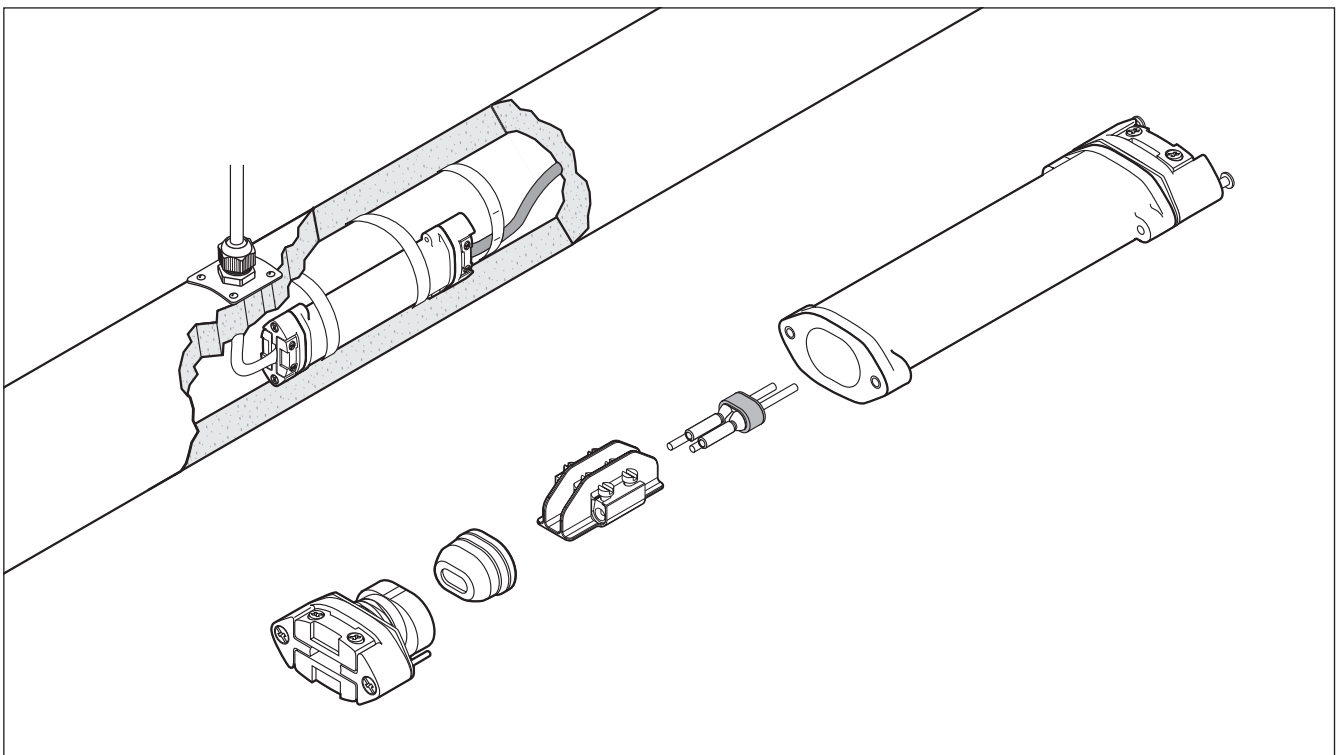
Low profile power connection - cold applied


The C-150-E is a cold applied low profile power connection. This kit enables in line connection of Raychem industrial heating cables, BTV, QTVR, XTV and KTV, to a flexible power cable. It can be used in applications with temperature ratings from -50°C to 215°C . It is approved for use in hazardous areas.

A Raychem supplied power cable such as C-150-PC may be used or any suitable standard industrial power cable type $3 \times 1.5 \text{ mm}^2$ or $3 \times 2.5 \text{ mm}^2$ with stranded copper conductors and an outer insulation jacket. The power cable is connected by means of screw terminals to the conductors and the braid of the heating cable.

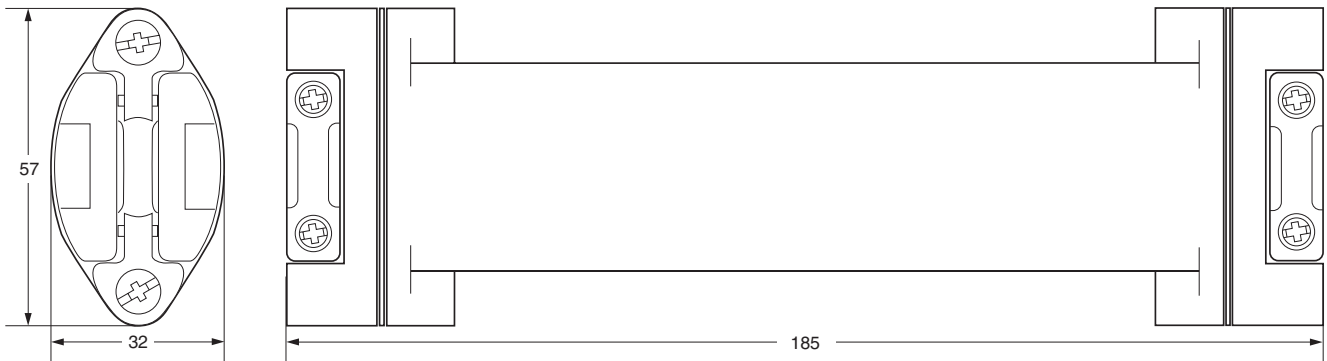
C-150-E is used as connector:

- where connection to a junction box is difficult e.g. because of space limitation
- on instrument lines or loading arms
- where installation of "under insulation" components is preferred
- as a cost effective solution for short heat-tracing lines as an alternative for JBS-100.



Description	Cold applied low profile splice for connection of BTV, QTVR, XTV and KTV heating cables to a power cable
Kit contents	1 splice housing assembly including <ul style="list-style-type: none"> • 1 sealing grommet assembly for heater • 1 pressure plate / strain relief assembly 1 core sealer for heater 1 spacer including screw terminal 1 sealing grommet assembly for the power cable 1 pressure plate / strain relief assembly for the power cable 1 identification label 1 installation instruction
Approvals	PTB 98 ATEX 1121 U  II 2 G/D EEx e II IP 66

Dimensions (in mm)



Product specifications

Heating cable capability	BTV-CR, BTV-CT, QTVR-CT, XTV-CT, KTV-CT
Power cable capability	For use with Raychem's high temperature power cable C-150-PC or for use with other flexible cable such as: H07RN-F, Silicone insulated cables. Minimum and maximum installation and operating temperatures, given by cable manufacturer, have to be considered by designer and installer.
Power cable dimension	-> outer diameter range 7.8 mm - 12.5 mm -> 3 stranded copper conductors (3 x 2.5 mm ² or 3 x 1.5 mm ²)
Maximum power cable length	-> temperature range depending on the application depending on power cable voltage drop and maximum current for Raychem power cable C-150-PC (3 x 2.5 mm ²): CB 16 A 40 m CB 20 A 32 m CB 25 A 25 m
Ingress protection	IP66
Minimum installation temperature	-50°C
Maximum pipe temperature	215°C (possible limitation because of maximum temperature rating of power cable)
Maximum operating voltage	254 Vac
Maximum current rating	depending on the power cable used and maximum current

Construction Materials

Housing, end plate, shim and spacer	Engineering polymers, black
Sealing grommets	Silicone rubber
Screws, compression spring	Stainless steel

Ordering details

Part description	C-150-E
PN (Weight)	073704-000 (0.4 kg/0.8 lb)
Pack size	1 bag

Accessories

Power cable	C-150-PC 3-core flexible power cable for connection to C-150-E, 3 x 2.5 mm ² , silicone insulation, temperature range: -40°C to +180°C, short term: 215°C.
-------------	--------------------------------------------------------------------------------------------------------------------------------------------------------------------------