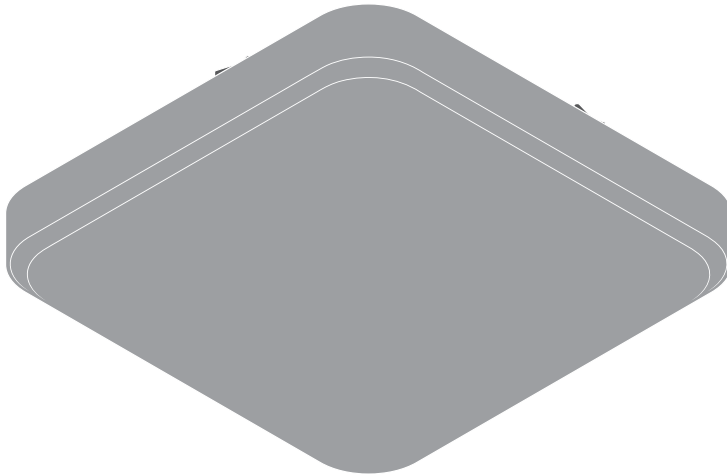

SURFACE SQUARE 330

SURFACE SQUARE 330 SENSOR

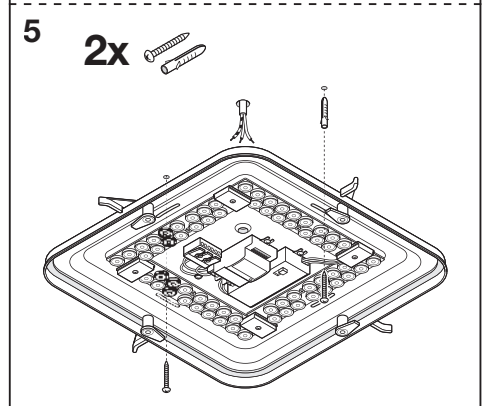
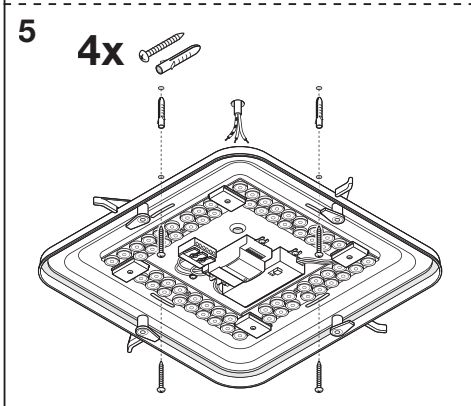
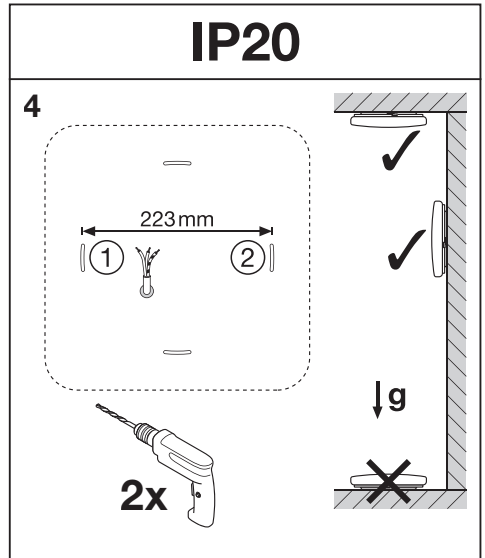
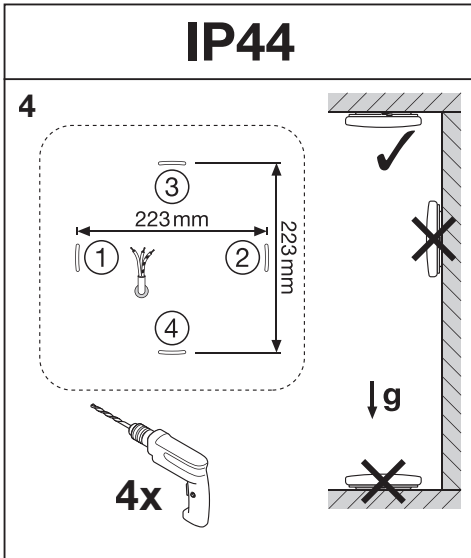
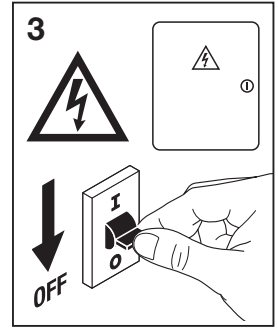
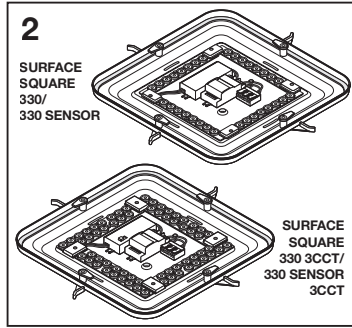
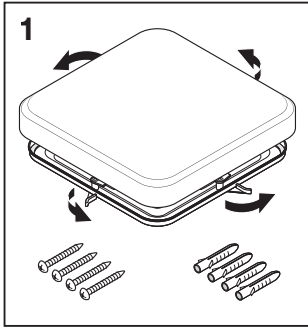
SURFACE SQUARE 330 3CCT

SURFACE SQUARE 330 SENSOR 3CCT

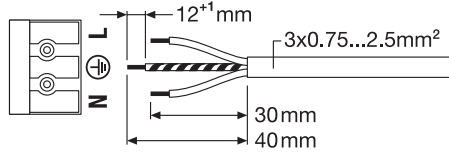
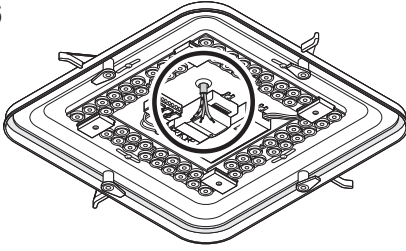


	EAN	l x w x h [mm]	W	V _{AC}	Hz	lm	lm/W	K
SF SQUARE 330 V 24W 830 IP44	4099854041952	330 x 330 x 75	24	220-240	50/60	2000	83	3000
SF SQUARE 330 V 24W 840 IP44	4099854041976	330 x 330 x 75	24	220-240	50/60	2000	83	4000
SF SQUARE 330 SEN V 24W 830 IP44	4099854041990	330 x 330 x 75	24	220-240	50/60	2000	83	3000
SF SQUARE 330 SEN V 24W 840 IP44	4099854042010	330 x 330 x 75	24	220-240	50/60	2000	83	4000
SF SQUARE 330 V 24W 3CCT IP44	4099854042034	330 x 330 x 75	24	220-240	50/60	2000	83	3000/ 4000/5000
SF SQUARE 330 SEN V 24W 3CCT IP44	4099854042058	330 x 330 x 75	24	220-240	50/60	2000	83	3000/ 4000/5000

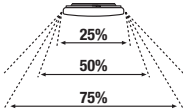
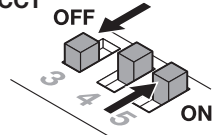
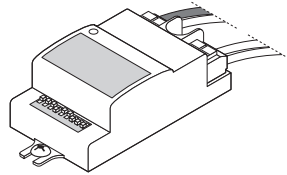
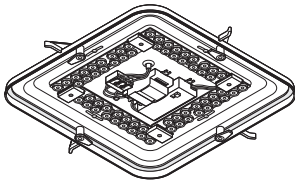
	EAN	IP	IK	∠	R _a	°(°C)	PF	👤
SF SQUARE 330 V 24W 830 IP44	4099854041952	44	03	120°	> 80	-20...+45	> 0.7	0.7 kg
SF SQUARE 330 V 24W 840 IP44	4099854041976	44	03	120°	> 80	-20...+45	> 0.7	0.7 kg
SF SQUARE 330 SEN V 24W 830 IP44	4099854041990	44	03	120°	> 80	-20...+45	> 0.7	0.7 kg
SF SQUARE 330 SEN V 24W 840 IP44	4099854042010	44	03	120°	> 80	-20...+45	> 0.7	0.7 kg
SF SQUARE 330 V 24W 3CCT IP44	4099854042034	44	03	120°	> 80	-20...+45	> 0.7	0.7 kg
SF SQUARE 330 SEN V 24W 3CCT IP44	4099854042058	44	03	120°	> 80	-20...+45	> 0.7	0.8 kg



6



SURFACE SQUARE 330 SENSOR / SURFACE SQUARE 330 SENSOR 3CCT



Detection Area



Hold Time

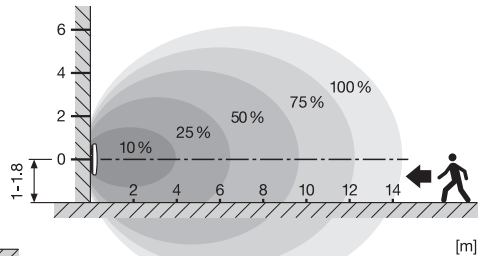
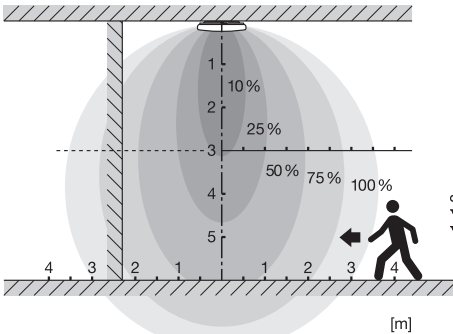


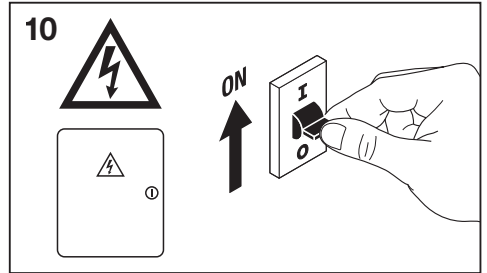
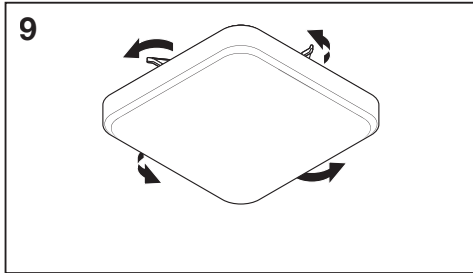
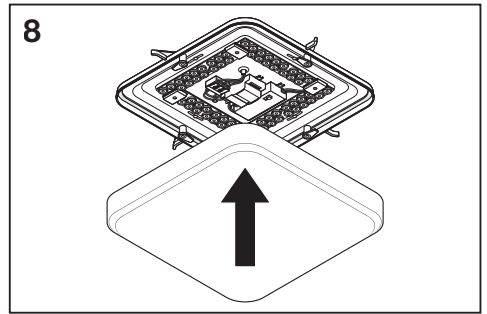
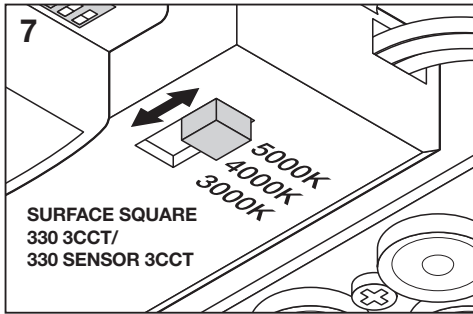
Daylight Sensor

1	2	3	
ON	ON	ON	100 %
-	ON	ON	75 %
ON	-	ON	50 %
-	-	ON	25 %
-	-	-	10 %

4	5	6	
ON	ON	ON	5s
-	ON	ON	30s
ON	-	ON	90s
-	-	ON	3min
ON	ON	-	20min
-	-	-	30min

7	8	9	
ON	ON	ON	2 LUX
ON	ON	-	10 LUX
-	ON	-	25 LUX
ON	-	-	50 LUX
-	-	-	Disable





	<p>EAN</p>	<p>l x w x h [mm]</p>
<p>SF SQUARE 330 COVER</p>	<p>4099854064432</p>	<p>330x330x60</p>

	<p>C10 A</p>	<p>B16 A</p>	<p>C16 A</p>
<p>SF SQUARE 330 V 24W 830 IP44</p>	<p>66x</p>	<p>104x</p>	<p>106x</p>
<p>SF SQUARE 330 V 24W 840 IP44</p>			
<p>SF SQUARE 330 SEN V 24W 830 IP44</p>			
<p>SF SQUARE 330 SEN V 24W 840 IP44</p>			
<p>SF SQUARE 330 V 24W 3CCT IP44</p>			
<p>SF SQUARE 330 SEN V 24W 3CCT IP44</p>			

LEDVANCE GmbH
 Steinerne Furt 62
 86167 Augsburg, Germany
www.ledvance.com

© LEDVANCE Ltd, Aquila House
 Delta Crescent, Westbrook, Warrington
 WA5 7NR, United Kingdom

C10449057
 G11159617
 20.03.23

FR
 Cet appareil et ses accessoires se recyclent

À DÉPOSER EN MAGASIN
 À DÉPOSER EN DÉCHÈTERIE

OU

Points de collecte sur www.quefairedemesdechets.fr